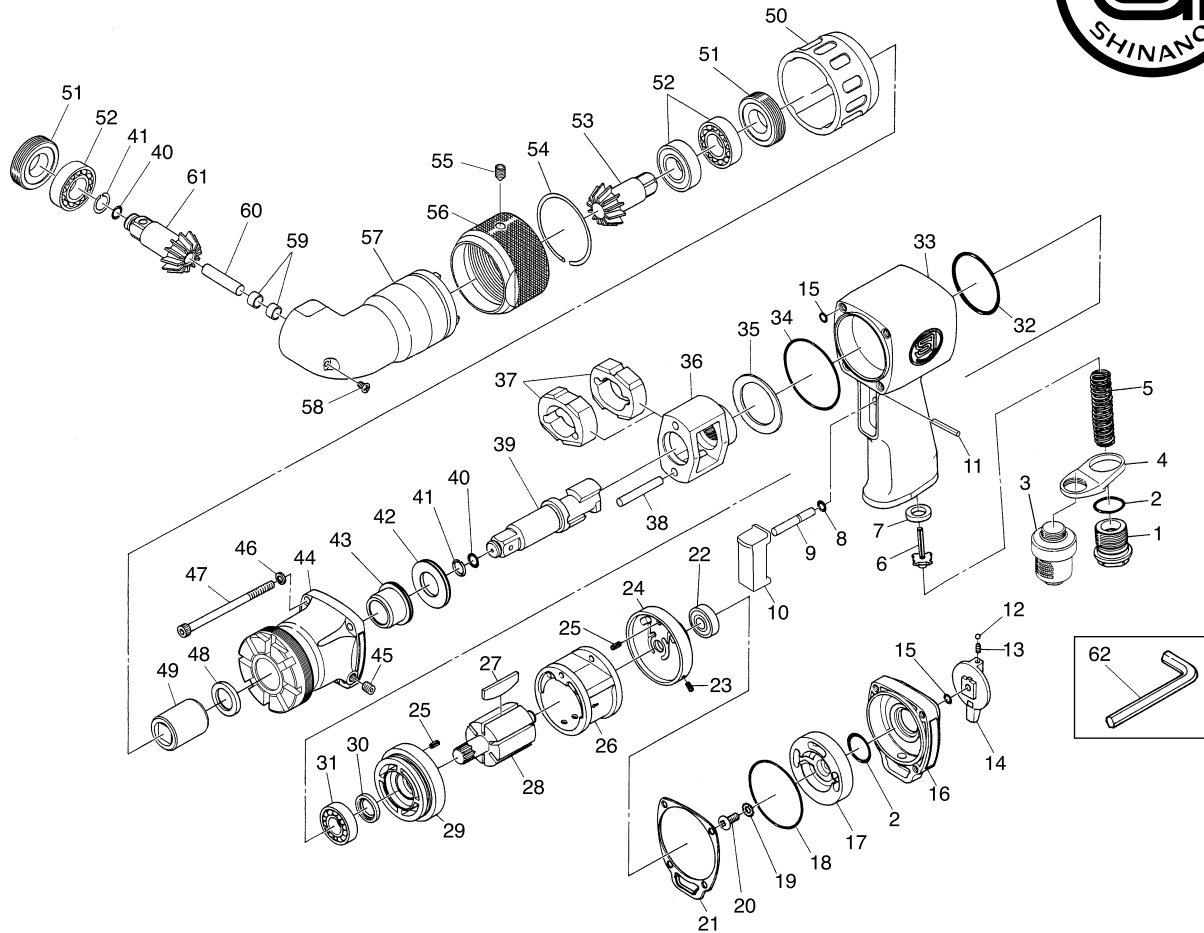


SI-1650AH

1/2" Angle Head Impact Wrench



Ref. No.	Parts No.	Description	Q'ty	Ref. No.	Parts No.	Description	Q'ty
1	991-5	Inlet Bushing	1	32	730-11	O-Ring	1
2	991-7	O-Ring	2	33	736-1DB	Motor Housing	1
3	103-1	Muffler	1	34	735-5	O-Ring	1
4	736-8	Muffler Retainer	1	35	735-6	Washer	1
5	736-15	Valve Spring	1	36	735-2	Hammer Cage	1
6	960-35A	Valve A'ssy incl. Roll Pin (30-32)	1	37	735-3	Hammer Dog	2
7	960-34	Valve Seat	1	38	735-4	Hammer Pin	2
8	216-6	O-Ring	1	39	735-1K	1/2" Sq. Anvil	1
9	456GP-14	Valve Shaft	1	40	P-6	O-Ring	2
10	456GP-15	Trigger	1	41	930-48	Socket Retainer Ring	2
11	25-18	Roll Pin(2.5φ-18mm)	1	42	736AH-1	Spacer	1
12	SB-1/8	Steel Ball	1	43	736DH-1	Anvil Bushing	1
13	960-50	Spring	1	44	736DHA-99	Hammer Housing incl. Oil Seal & Bush (910-18,736DIL-1)	1
14	736-10A	Reverse Lever	1	45	PTN1/16	Plug	1
15	S-5	O-Ring	5	46	HSW-50	Washer	4
16	736DH-11	Housing Cap	1	47	736-14Z	Cap Screw	4
17	736-3	Reverse Valve	1	48	910-18	Oil seal	1
18	736-17	O-Ring	1	49	911PL-6	Connector	1
19	BT-50	Washer	1	50	736DAH-5	Clutch Housing Cover	1
20	PBM50-100	Screw	1	51	911PL-7	Bearing Nut	2
21	736-4A	Motor Gasket	1	52	6003-Z	Ball Bearing	3
22	608-ZZ	Ball Bearing	1	53	911PL-4	Pinion Gear	1
23	30-5	Roll Pin(3φ-5mm)	1	54	736DAH-2	Retainer Ring	1
24	736-5A	Rear Plate	1	55	R5-M50...50	Screw	3
25	30-6	Roll Pin(3φ-6mm)	2	56	736DAH-4	Lock Nut	1
26	736B-1	Cylinder	1	57	911PL-1D	Angle Head incl. Bush (736DAH-1)	1
27	736B-3	Rotor Blade	6	58	A-M40...60	Screw	1
28	736B-2	Rotor	1	59	506-12	Bush	2
29	736-7A	Front Plate	1	60	140-23	Pinion Pin	1
30	910-17	Oil seal	1	61	911PL-5	Anvil Pinion	1
31	6001	Ball Bearing	1	62	WRA-2.5	2.5mm Allen Wrench	1