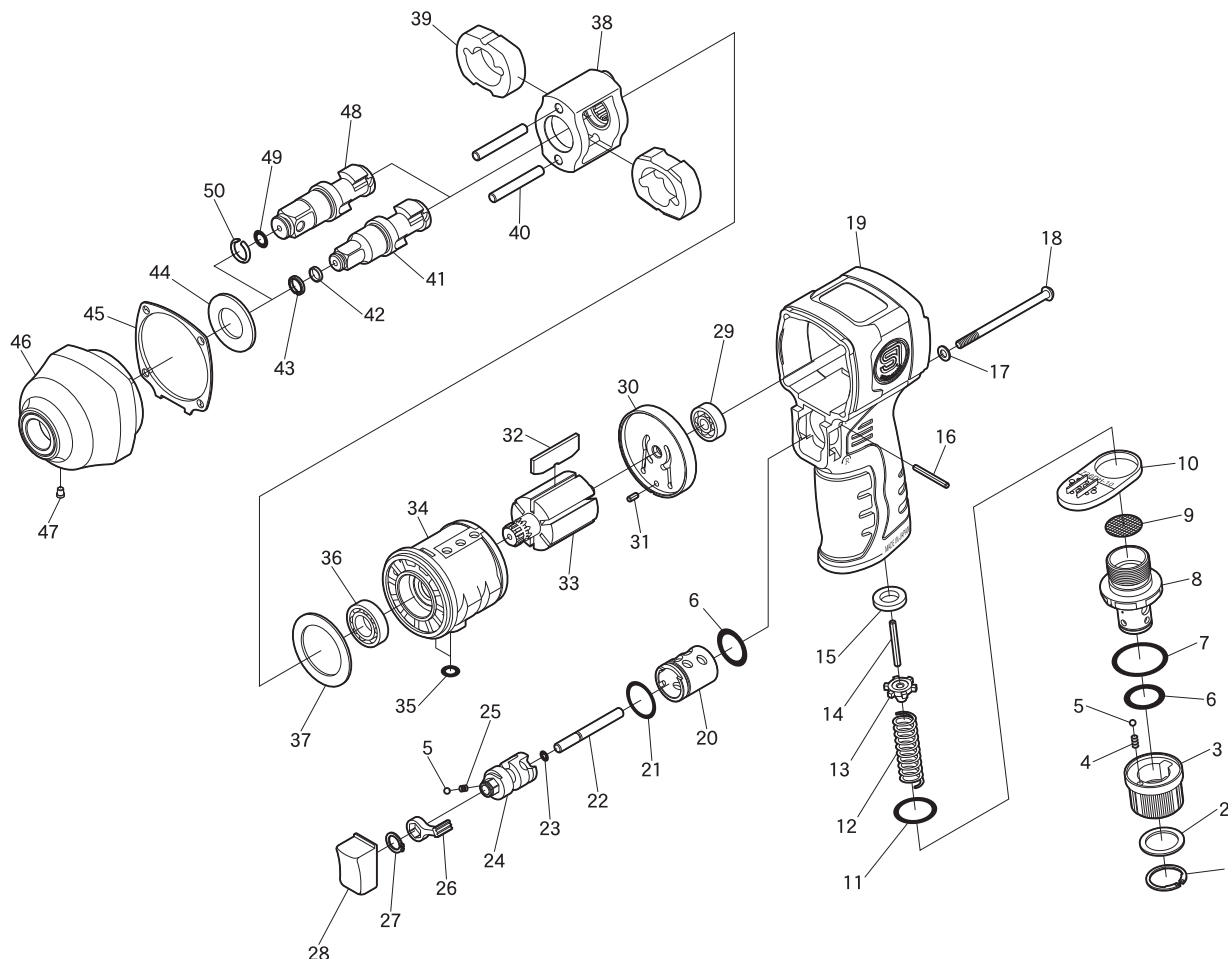


SI-1357

3/8" Mini Impact Wrench

SI-1457

1/2" Mini Impact Wrench



Ref. No.	Parts No.	Description	Q'ty	Ref. No.	Parts No.	Description	Q'ty
1	GV-17	Retaining Ring	1	27	JS-8	Retaining Ring	1
2	437-28	Washer	1	28	437-15	Trigger	1
3	437-24	Regulator Ring	1	29	626	Ball Bearing	1
4	450-45	Spring	1	30	437-2A	Rear Plate	1
5	SB-30	Steel Ball	2	31	25-6	Roll Pin(2.5Ø-6mm)	1
6	P-16	O-Ring	2	32	437-6	Rotor Blade	6
7	210R-7	O-Ring	1	33	437-3	Rotor	1
8	437-22	Regulator Bushing	1	34	437-25	Cylinder	1
9	2011AC-9	Screen	1	35	KS-4	O-Ring	2
10	736DH-10	Deflector	1	36	6901	Ball Bearing	1
11	991-7	O-Ring	1	37	735-6	Washer	1
12	911P-14	Valve Spring	1	38	437-10	Hammer Cage	1
13	960-35	Valve	1	39	437-12	Hammer Dog	2
14	30-28	Roll Pin(3Ø-28mm)	1	40	437-11	Hammer Pin	2
15	960-34	Valve Sheet	1	41	437-8	3/8" Sq. Anvil incl. O-Ring & Soket Retainer Ring (450-11 & 450-10)	1
16	25-24	Roll Pin(2.5Ø-24mm)	1	42	450-11	O-Ring	1
17	PWO-40	Washer	4	43	450-10	Socket Retainer Ring	1
18	437-14	Set Screw	4	44	730-47	Spacer	1
19	437-1	Motor Housing	1	45	437-13	Gasket	1
20	437-17	Reverse Bush	1	46	437-16	Clutch Housing incl. Anvil Bushing (737-5)	1
21	S-18	O-Ring	1	47	1071C-16	Greece Plug	1
22	437-18	Valve Pin	1	★ 48	437-26	1/2" Sq. Anvil incl. O-Ring & Soket Retainer Ring (P-6 & 930-48)	1
23	737-19	O-Ring	1	★ 49	P-6	O-Ring	1
24	437-20	Reverse Valve	1	★ 50	930-48	Socket Retainer Ring	1
25	437-21	Spring	1				
26	437-19	Reverse Lever	1				