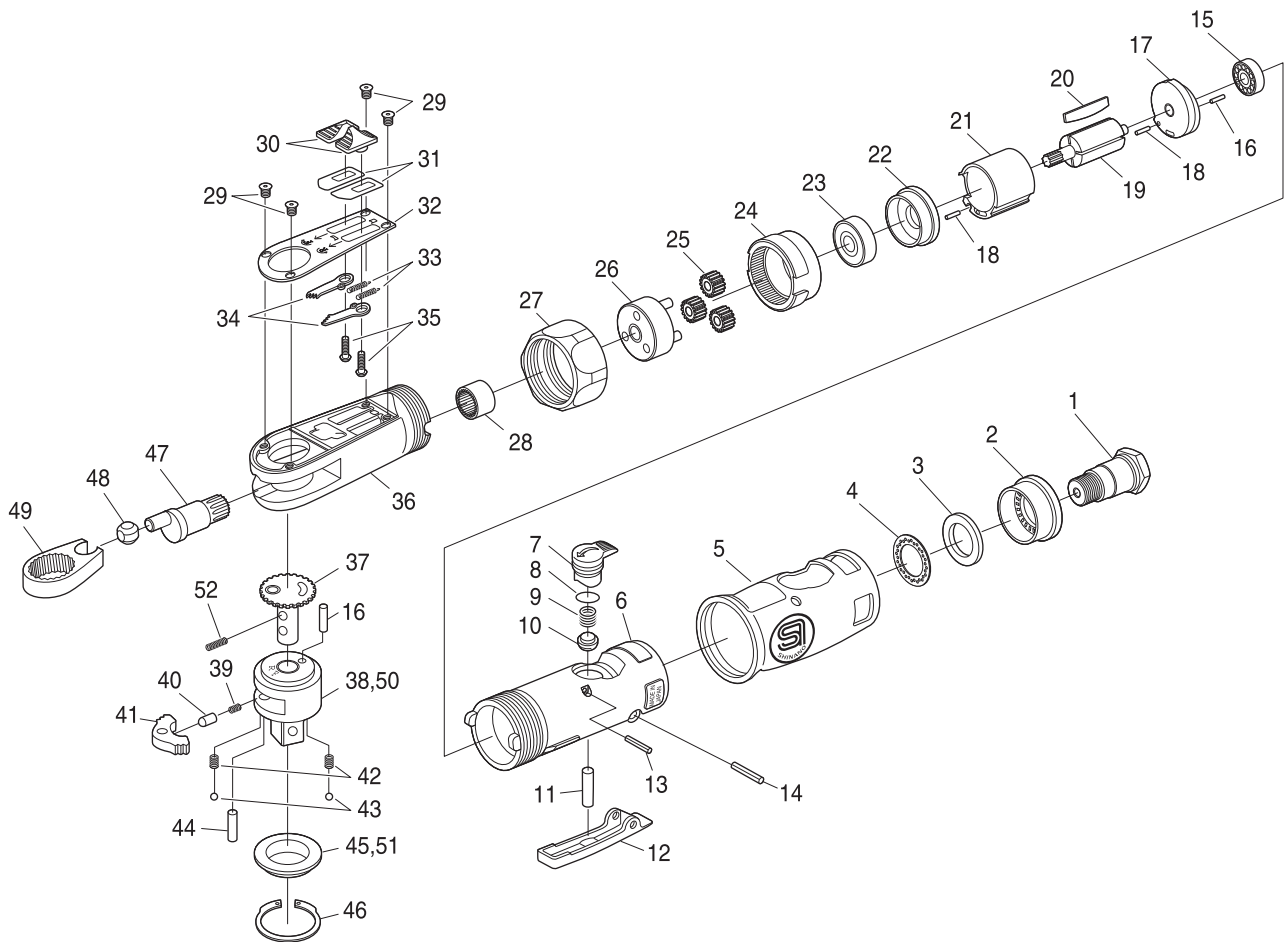


SI-1251 1/4" Ratchet Wrench

SI-1252 3/8" Ratchet Wrench



Ref. No.	Parts No.	Description	Q'ty	Ref. No.	Parts No.	Description	Q'ty
1	310Q-1	Inlet Bushing	1	27	315-6	Lock Ring	1
2	310Q-6	Muffler Cover	1	28	HK0910	Needle Bearing	1
3	310Q-4	Muffler	1	29	315-16	Screw	4
4	310Q-2	Silencer	1	30	315-11	Reverse Button	2
5	315-22	Housing Cover	1	31	315-20	Plate	2
6	315-1A	Motor Housing incl. Bush (310-1S)	1	32	315-12	Ratchet Housing Cover	1
7	315-9A	Air Regulator	1	33	315-14	Reverse Arm Spring	2
8	S-9	O-Ring	1	34	315-13A	Reverse Arm	2
9	670-49	Valve Spring	1	35	AZM40---50	Screw	2
10	300-10	Valve	1	36	315-3	Ratchet Housing	1
11	310-4S	Valve Pin	1	37	315-10A	Reverse Gear	1
12	315-8	Throttle Lever	1	38	315-5	1/4" Sq. Anvil	1
13	25-20	Roll Pin (2.5φ-20mm)	1	39	310-34	Reverse Spring	1
14	30-24	Roll Pin (3φ-24mm)	1	40	310-16	Reverse Pin	1
15	696-ZZ	Ball Bearing	1	41	310-9A	Ratchet Pawl	1
16	20-5	Roll Pin (2φ-5mm)	2	42	310B-33	Thrust Washer Spring	2
17	315-17	Rear Plate	1	43	SB-30	Steel Ball	2
18	25-4	Roll Pin (2.5φ-4mm)	2	44	310-24	Dowel Pin	1
19	1091C-2	Rotor	1	45	310-23	Thrust Washer for 1/4"	1
20	330-16	Rotor Blade	4	46	310-60	Retaining Ring	1
21	330-17	Cylinder	1	47	310C-1	Crank Shaft	1
22	310-5	Front Plate	1	48	310-8	Drive Bushing	1
23	608ZZ	Ball Bearing	1	49	310-3	Yoke	1
24	315-7A	Internal Gear	1	★ 50	315-4B	3/8" Sq. Anvil	1
25	310-12	Planet Gear	3	★ 51	310S-23	Thrust Washer for 3/8" Sq. Anvil	1
26	310-2	Planet Cage incl. Planet Pins (319-19x3)	1	52	670-45	Reverse Spring	1