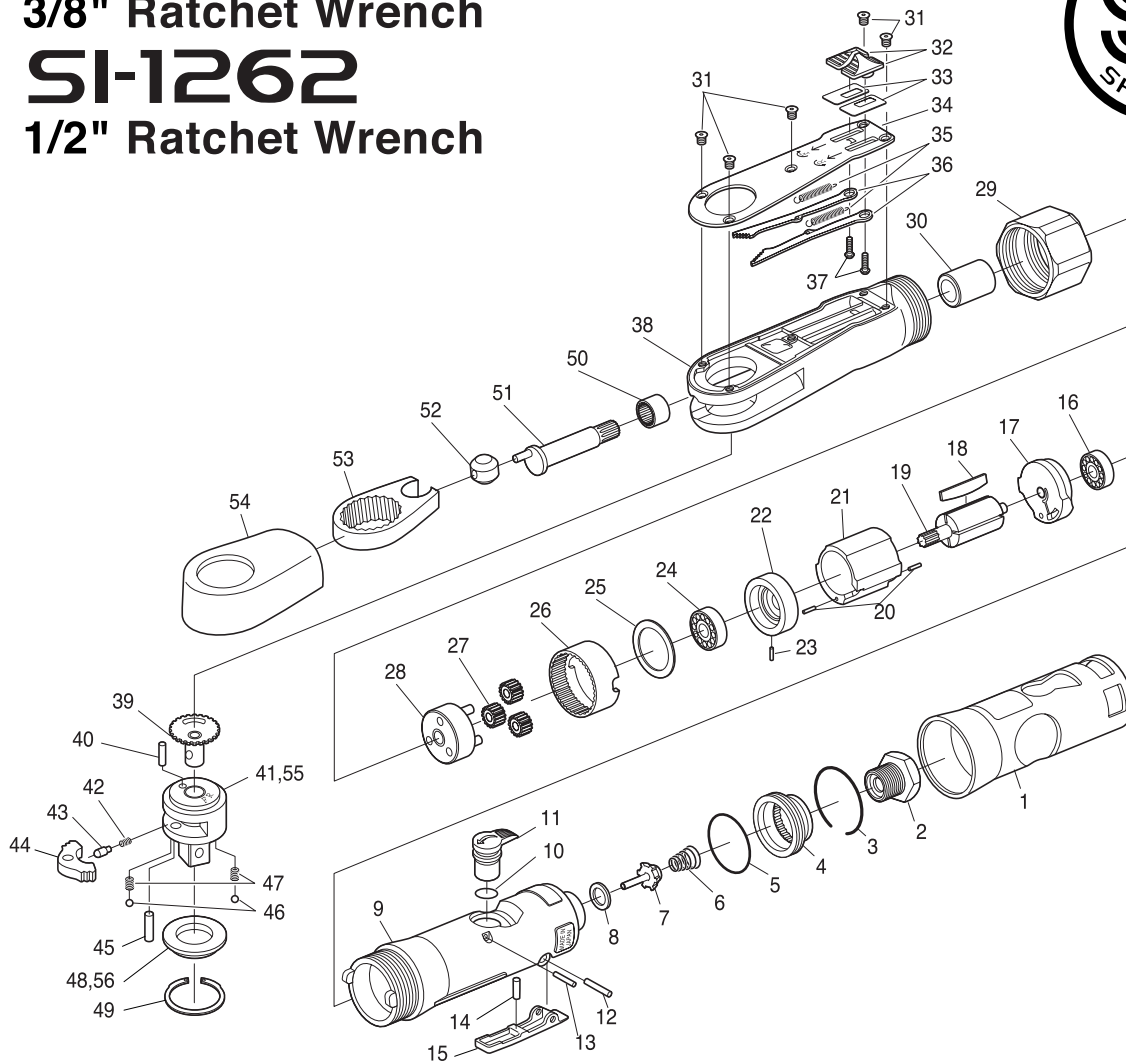


# SI-1261

## 3/8" Ratchet Wrench

# SI-1262

## 1/2" Ratchet Wrench



Ref. No.	Parts No.	Description	Q'ty	Ref. No.	Parts No.	Description	Q'ty
1	325-20	Housing Cover	1	29	325-14	Lock Ring	1
2	325-15	Inlet Bushing	1	30	300-43	Bush	1
3	303-7	Retaining Ring	1	31	325-23	Screw	5
4	325-9	Deflector	1	32	325-3A	Reverse Button	2
5	620-28	O-Ring	1	33	325-19	Plate	2
6	325-16	Valve Spring	1	34	325S-2	Ratchet Housing Cover	1
7	325-8	Valve	1	35	325-22	Reverse Arm Spring	1
8	139-9	Valve Seat	1	36	325S-1	Reverse Arm	1
9	325-4	Motor Housing	1	37	AZM40---50	Screw	2
10	P-7	O-Ring	1	38	325S-3	Ratchet Housing	1
11	325-6	Air Regulator	1	39	325-17	Reverse Gear	1
12	30-24	Roll Pin (3φ-24mm)	1	40	25-5	Roll Pin (2.5φ-5mm)	1
13	25-20	Roll Pin (2.5φ-20mm)	1	41	325-18	3/8" Sq. Anvil	1
14	310-4S	Valve Pin	1	42	670-45	Reverse Spring	1
15	325-7	Throttle Lever	1	43	670-17	Reverse Pin	1
16	626	Ball Bearing	1	44	670-9	Ratchet Pawl	1
17	303-6	Rear Plate	1	45	670-27	Dowel Pin	1
18	301-15	Rotor Blade	4	46	SB-5/32	Steel Ball	2
19	300-12	Rotor	1	47	800B-44	Thrust Washer Spring	2
20	15-6	Roll Pin (2.5φ-4mm)	2	48	670-26	Thrust Washer for 3/8" Sq. Anvil	1
21	303-11	Cylinder	1	49	IO-30	Retaining Ring	1
22	303-5	Front Plate	1	50	HK1212	Needle Bearing	1
23	25-4	Roll Pin (2.5φ-4mm)	1	51	302W-3	Crank Shaft	1
24	608-ZZ	Ball Bearing	1	52	670-8	Drive Bushing	1
25	325-12	Washer	1	53	670-3	Yoke	1
26	325-11	Internal Gear	1	54	325-25	Boot	1
27	300-13	Planet Gear	3	★55	325-21	1/2" Sq. Anvil	1
28	301-2	Planet Cage incl. Planet Pins(300-21x3)	1	★56	671H-1	Thrust Washer for 1/2" Sq. Anvil	1