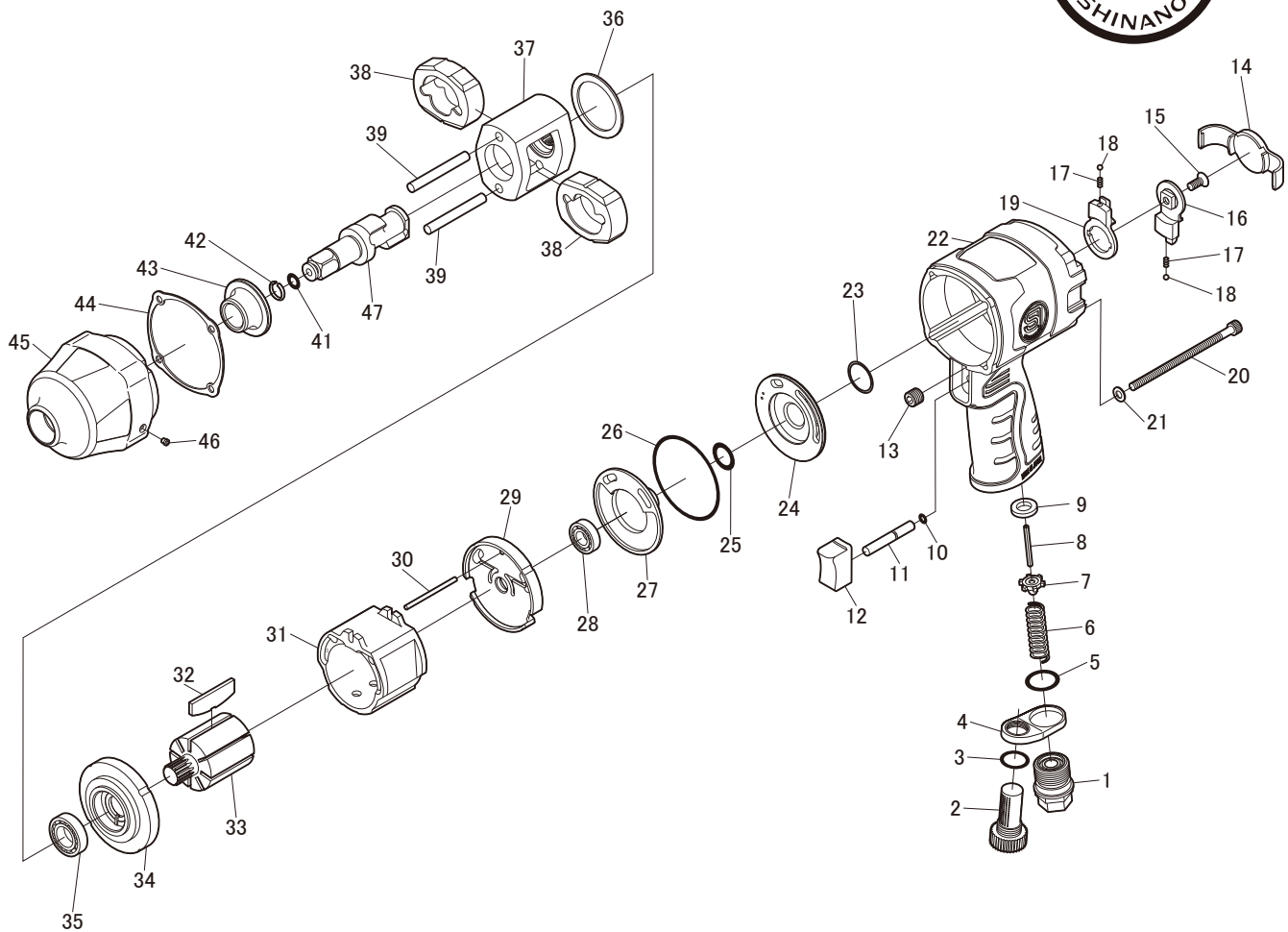


SI-1492BSR

1/2" Sq. Dr. Impact wrench



| Ref. No. | Parts No. | Description | Q'ty | Ref. No. | Parts No. | Description | Q'ty |
|----------|-------------|----------------------|------|----------|-----------|---|------|
| 1 | 911P-20D | Inlet Bushing | 1 | 25 | S-10 | O-Ring | 1 |
| 2 | 911P-25 | Muffler | 1 | 26 | 911P-23A | O-Ring | 1 |
| 3 | S-16 | O-Ring | 1 | 27 | 913-7B | Reverse Valve | 1 |
| 4 | 911A-15 | Muffler Retainer | 1 | 28 | 6900 | Ball Bearing | 1 |
| 5 | 991-7 | O-Ring | 1 | 29 | 913-17A | Rear Plate | 1 |
| 6 | 911P-14 | Valve Spring | 1 | 30 | 914-4 | Motor Pin | 1 |
| 7 | 960-35 | Valve | 1 | 31 | 911P-12A | Cylinder | 1 |
| 8 | 30-32 | Roll Pin(3ø-32mm) | 1 | 32 | 913-18A | Rotor Blade | 8 |
| 9 | 960-34 | Valve Seat | 1 | 33 | 913-13A | Rotor | 1 |
| 10 | 216-6 | O-Ring | 1 | 34 | 913-4B | Front Plate | 1 |
| 11 | 456GP-14 | Valve Shaft | 1 | 35 | 6902 | Ball Bearing | 1 |
| 12 | 913-11R | Trigger | 1 | 36 | 913-12 | Spacer | 1 |
| 13 | ROM100---80 | Set Screw | 1 | 37 | 935AF-3 | Hammer Cage | 1 |
| 14 | 913-2 | Rear Cover | 1 | 38 | 935AF-5 | Hammer Dog | 2 |
| 15 | E-M50--120 | Screw | 1 | 39 | 935AF-6 | Hammer Pin | 2 |
| 16 | 913-8AR | Regulator Lever(Red) | 1 | ◆40 | 935AF-4 | 1/2" Sq. Anvil incl. O-Ring & Socket Retainer Ring (P-7 & 930-48) | |
| 17 | 960-50 | Spring | 2 | 41 | P-7 | O-Ring | 1 |
| 18 | SB-1/8 | Steel Ball | 2 | 42 | 930-48 | Socket Retainer Ring | 1 |
| 19 | 913-6AR | Regulator Lever(Red) | 1 | 43 | 935AF-2 | Anvil Bushing | 1 |
| 20 | Z-M50--920 | Cap Screw | 4 | 44 | 914-3B | Gasket | 1 |
| 21 | PWO-50 | Washer | 4 | 45 | 914-2B | Clutch Housing incl. Anvil Bushing | 1 |
| 22 | 913-1 | Motor Housing | 1 | 46 | 1071C-16 | Grease Plug | 1 |
| 23 | S-20 | O-Ring | 1 | 47 | 935AF-4L | 1/2" Sq. 2" Long Anvil incl. O-Ring & Socket Retainer Ring (P-7 & 930-48) | 1 |
| 24 | 913-5AB | Regulator Valve | 1 | | | | |