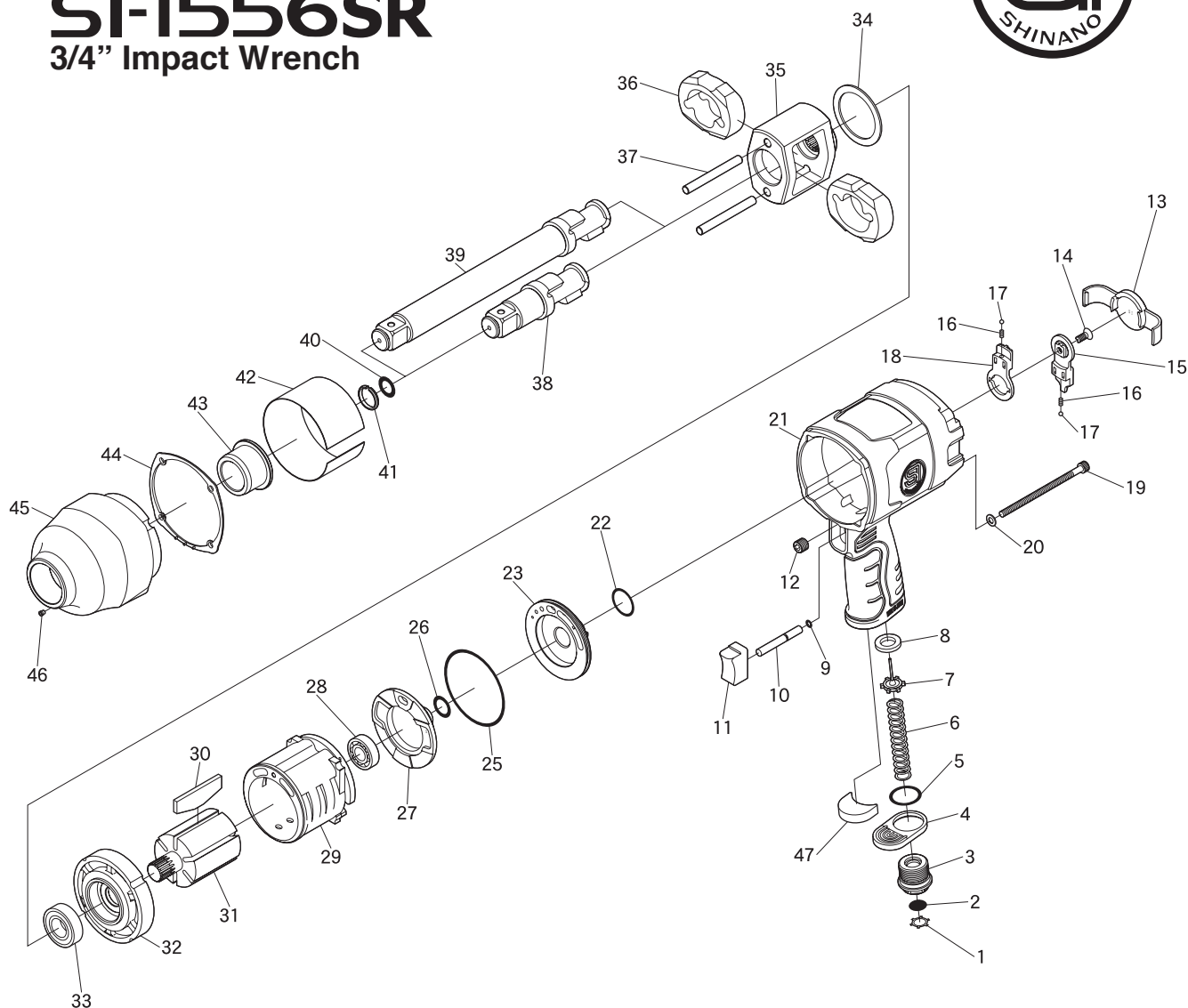


SI-1550SR 3/4" Impact Wrench

SI-1556SR 3/4" Impact Wrench



Ref. No.	Parts No.	Description	Q'ty	Ref. No.	Parts No.	Description	Q'ty
1	CRTW-16	Retainer	1	25	S-65	O-Ring	1
2	967-19	Screen	1	26	S-10	O-Ring	1
3	966-6	Inlet Bushing	1	27	967-4A	Reverse Valve	1
4	966-5	Deflector	1	28	6001	Ball Bearing	1
5	S-22.4	O-Ring	1	29	967-9	Cylinder	1
6	911P-14	Valve Spring	1	30	960-20A	Rotor Blade	6
7	966-11	Valve	1	31	967-12	Rotor	1
8	1071C-20	Valve Seat	1	32	967-8	Front Plate	1
9	216-6	O-Ring	1	33	6003Z	Ball Bearing	1
10	967-17	Valve Shaft	1	34	966-22	Washer	1
11	967-7R	Trigger	1	35	967-102	Hammer Cage	1
12	ROM100--80	Set Screw	1	36	967-104	Hammer Dog	2
13	967-13	Rear Cover	1	37	967-101	Hammer Pin	2
14	E-M50--120	Screw	1	38	967-103	3/4" Sq. Anvil incl. O-Ring & Socket Retainer Ring(P-12&960-7)	1
15	967-6	Reverse Lever (Red)	1	★ 39	967-107	3/4" Sq. Long Anvil incl. O-Ring & Socket Retainer Ring(P-12&960-7)	1
16	960-50	Spring	2	40	P-12	O-Ring	1
17	SB-1/8	Steel Ball	2	41	960-7	Socket Retainer Ring	1
18	967-5R	Regulator Lever (Red)	1	42	966-17	Support Collar	1
19	Z-M50-1150	Cap Screw	4	43	967-14	Anvil Bushing	1
20	PWO-50	Washer	4	44	967-11	Gasket	1
21	967-1SI	Motor Housing	1	45	967-2	Clutch Housing incl. Anvil Bushing	1
22	S-22	O-Ring	1	46	1071C-16	Grease Plug	1
23	967-3A	Regulator Valve	1	47	967-20	Muffer	1