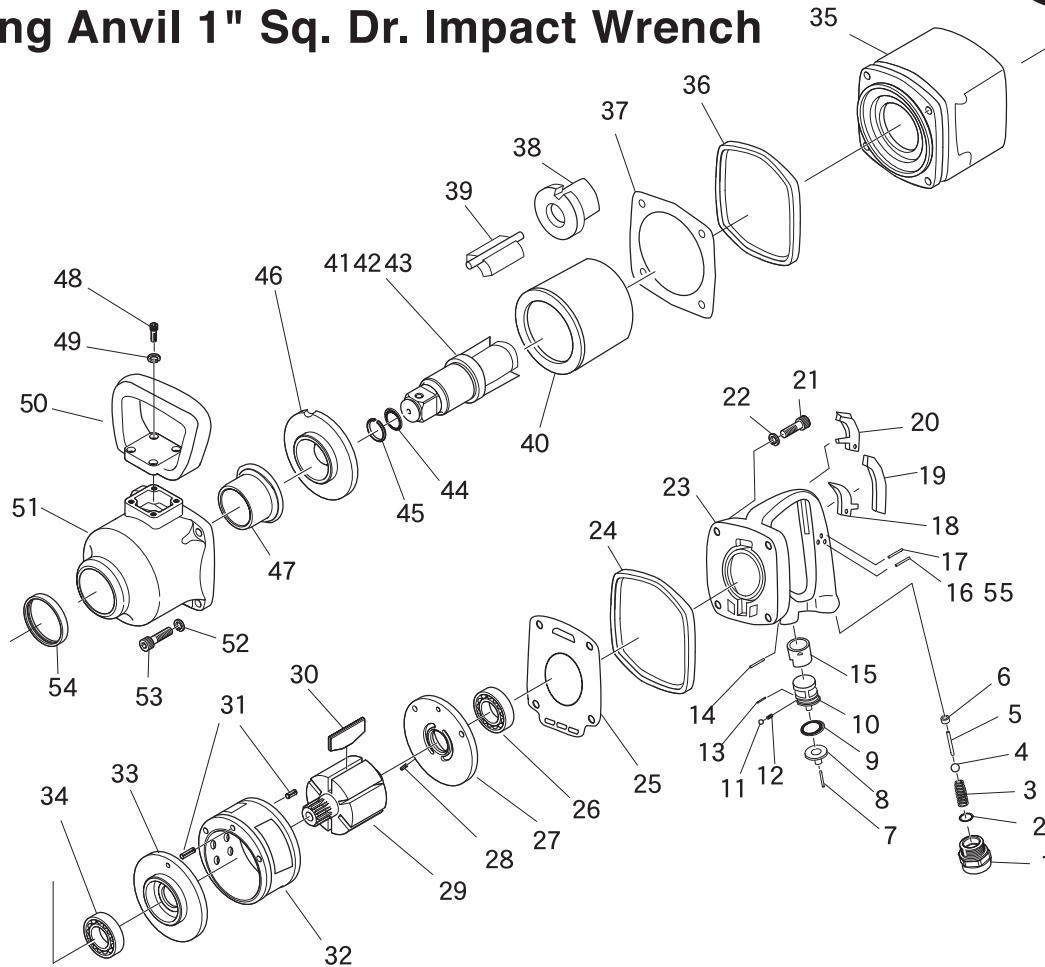


SI-1870

1" Sq. Dr. Impact Wrench

SI-1876 SI-1878

Long Anvil 1" Sq. Dr. Impact Wrench



| Ref. No. | Parts No. | Description | Q'ty | Ref. No. | Parts No. | Description | Q'ty |
|----------|------------|------------------------------------------------|------|----------|------------|-----------------------------------------------|------|
| 1 | 1901-46 | Inlet Bushing | 1 | 29 | 1900-29 | Rotor | 1 |
| 2 | P-20 | O-Ring | 1 | 30 | 1900-30 | Rotor Blade | 6 |
| 3 | 1901-44 | Valve Spring | 1 | 31 | 1900-32 | Roll pin | 2 |
| 4 | 1901-43 | Valve | 1 | 32 | 1900-31A | Cylinder Assembly (incl.1900-32) | 1 |
| 5 | 1901-42 | Valve Pin | 1 | 33 | 1900-28 | Front Plate | 1 |
| 6 | 1901-41 | Valve Bushing | 1 | 34 | 6205-Z | Ball Bearing | 1 |
| 7 | 30-24 | Roll Pin(3φ-24 mm) | 1 | 35 | 1901-25A | Motor Housing | 1 |
| 8 | 1901-58 | Reverse Lever | 1 | 36 | 1900-17 | Front Housing Band | 1 |
| 9 | P-16 | O-Ring | 1 | 37 | 1900-16 | Gasket | 1 |
| 10 | 1901-52A | Adjust Valve Assy (incl. 30-8) | 1 | 38 | 1900-14 | Cam | 1 |
| 11 | SB-40 | Steel Ball | 1 | 39 | 1900-12 | Hammer Dog | 1 |
| 12 | 1901-53 | Spring | 1 | 40 | 1900-11 | Hammer Frame | 1 |
| 13 | 30-8 | Roll Pin(3φ-8mm) | 1 | 41 | 1900-8A | Anvil Assembly (incl. 1900-9, 1900-10) | 1 |
| 14 | 40-30 | Roll Pin(4φ-30mm) | 1 | ☆42 | 1900-8BA | 6"Long Anvil Assembly (incl. 1900-9, 1900-10) | 1 |
| 15 | 1901-51 | Reverse Valve Bushing | 1 | ★43 | 1900-8CA | 8"Long Anvil Assembly (incl. 1900-9, 1900-10) | 1 |
| 16 | 1901-63 | Needle Pin (for Outside Lever) | 1 | 44 | 1900-10 | O-Ring | 1 |
| 17 | 40-26 | Roll Pin(4φ-26mm) | 1 | 45 | 1900-9 | Socket Retainer Ring | 1 |
| 18 | 1901-60B | Inside Trigger | 1 | 46 | 1900-6 | Side Plate | 1 |
| 19 | 1901-61 | Outside Plug | 1 | 47 | 1900-4 | Anvil Bushing | 1 |
| 20 | 1901-60 | Out Side Trigger | 1 | 48 | Z-M60--180 | Cap Screw | 4 |
| 21 | Z-M80--250 | Cap Screw | 4 | 49 | HSW-60 | Washer | 4 |
| 22 | HSW-80 | Washer | 4 | 50 | 1900-18 | Dead Handle | 1 |
| 23 | 1901-40A | Frame Handle Assembly (incl. 1901-41, 1901-51) | 1 | 51 | 1900-3A | Hammer Case Assembly (incl. 1900-2, 1900-4) | 1 |
| 24 | 1900-37 | Rear Housing Band | 1 | 52 | HSW-80 | Washer | 4 |
| 25 | 1901-36 | Gasket | 1 | 53 | Z-M80--300 | Cap Screw | 4 |
| 26 | 6204 | Ball Bearing | 1 | 54 | 1900-2 | Oil Seal | 1 |
| 27 | 1900-33A | Rear End Plate Assembly (incl. 40-10) | 1 | 55 | 1901-63B | Needle Pin (for Inside Lever) | 1 |
| 28 | 40-10 | Roll Pin(4φ-10mm) | 1 | | | | |