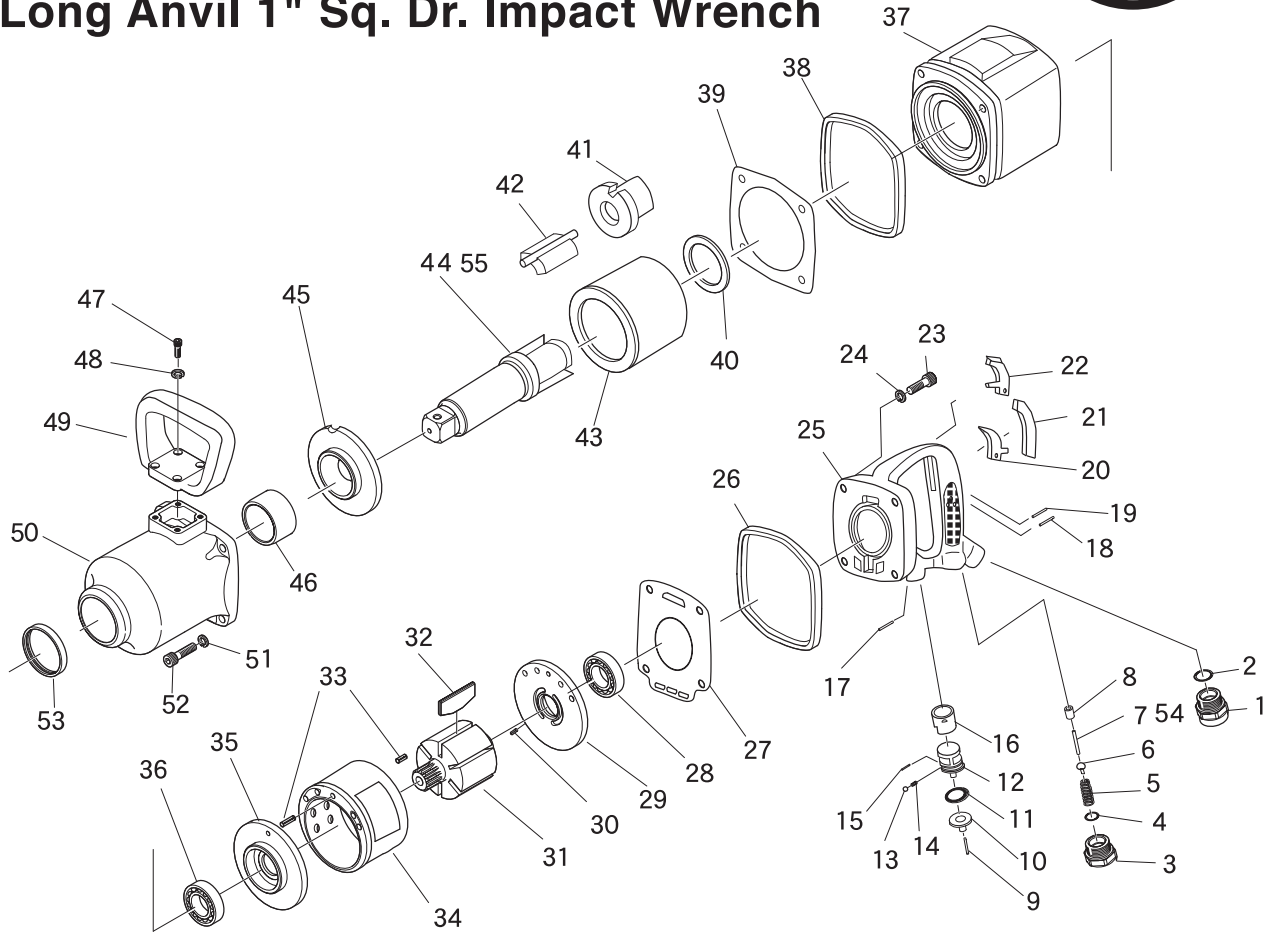


SI-1880

1" Sq. Dr. Impact Wrench

SI-1888

Long Anvil 1" Sq. Dr. Impact Wrench



Ref. No.	Parts No.	Description	Q'ty	Ref. No.	Parts No.	Description	Q'ty
1	1901-46	Inlet Bushing	1	29	1902-33A	Rear End Plate Assembly (incl.1902-34)	1
2	P-20	O-Ring	1	30	1902-34	Roll Pin	1
3	1902-48	Valve Plug	1	31	1902-29	Rotor	1
4	P-20	O-Ring	1	32	1902-30	Rotor Blade	6
5	1902-44	Valve Spring	1	33	40-20	Roll Pin(4φ-20mm)	2
6	1901-43	Valve	1	34	1902-31A	Cylinder Assembly (incl.40-20)	1
7	1902-42B	Valve Pin (for Inside Lever)	1	35	1902-28	Front Plate	1
8	1901-41	Valve Bushing	1	36	6305-Z	Ball Bearing	1
9	30-24	Roll Pin(3φ-24 mm)	1	37	1902-25A	Motor Housing	1
10	1901-58	Reverse Lever	1	38	1902-17	Front Housing Band	1
11	P-16	O-Ring	1	39	1902-16	Gasket	1
12	1901-52A	Reverse Valve Assy (incl.30-8)	1	40	1902-15	Spacer	1
13	SB-40	Steel Ball	1	41	1902-14	Cam	1
14	1901-53	Spring	1	42	1902-12	Hammer Dog	1
15	30-8	Roll Pin(3φ-8mm)	1	43	1902-11	Hammer Frame	1
16	1901-51	Reverse Valve Bushing	1	☆44	1902-8B	Long Anvil	1
17	40-30	Roll Pin(4φ-30mm)	1	45	1902-6	Side Plate	1
18	1901-63B	Needle Pin	1	46	1902-4	Anvil Bushing	1
19	40-26	Roll Pin(4φ-26mm)	1	47	Z-M60--180	Cap Screw	4
20	1901-60B	Inside Trigger	1	48	HSW-60	Washer	4
21	1901-61	Outside Plug	1	49	1900-18	Dead Handle	1
22	1902-60	Out Side Trigger	1	50	1902-3A	Hammer Case Assembly (incl.1902-2,1902-4)	1
23	Z-M80-300	Cap Screw	4	51	HSW-80	Washer	4
24	HSW-80	Washer	4	52	Z-M80-300	Cap Screw	4
25	1902-40A	Frame Handle Assembly (incl.1901-41,1901-51)	1	53	1902-2	Oil Seal	1
26	1902-37	Rear Housing Band	1	54	1902-42	Valve Pin (for Outside Lever)	1
27	1902-36	Gasket	1	55	1902-8	Anvil	1
28	6205	Ball Bearing	1				

☆ For SI-1888

Printed in Japan

Jul. 2012