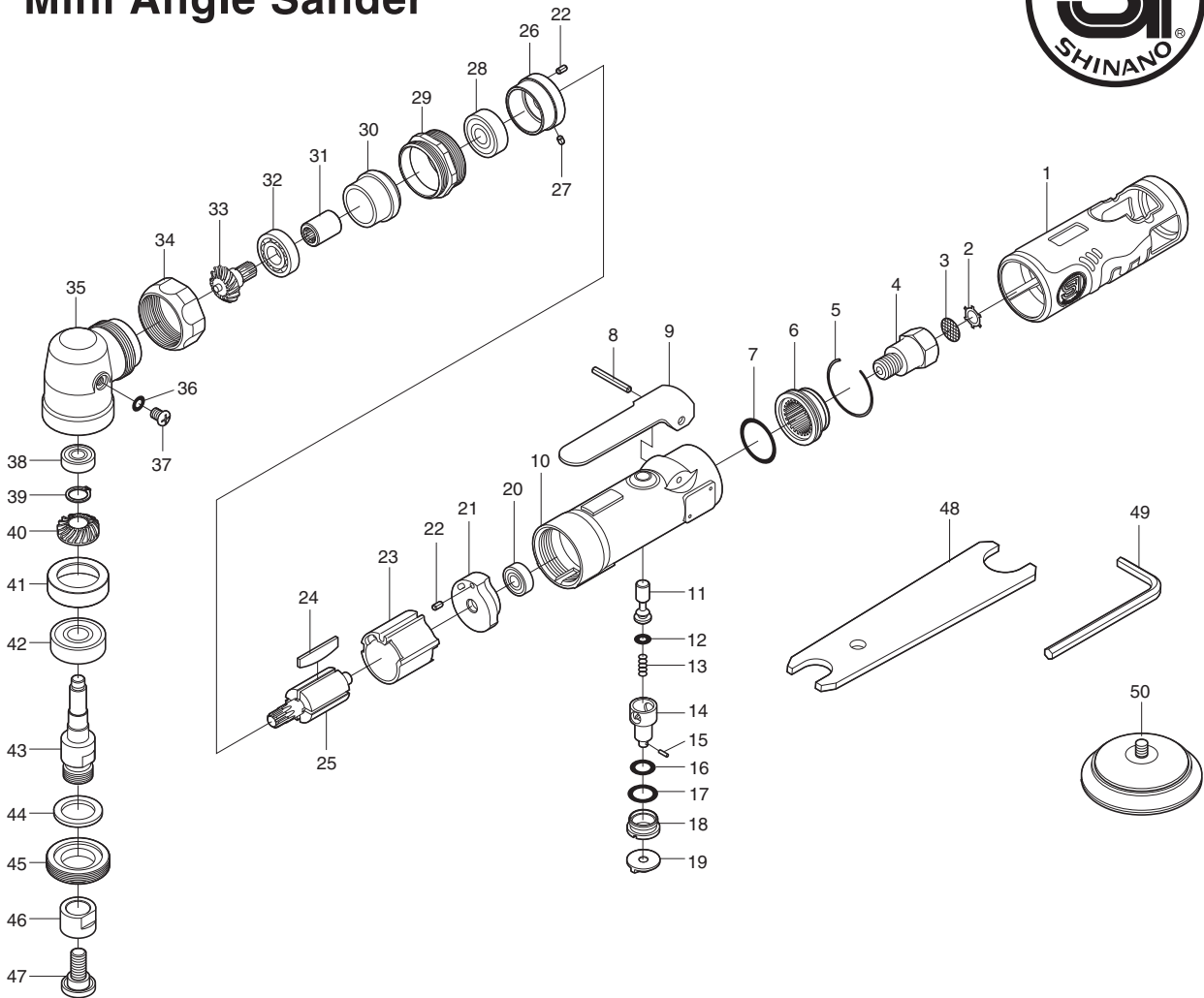


# SI-2008EX

## Mini Angle Sander



Ref. No.	Parts No.	Description	Q'ty	Ref. No.	Parts No.	Description	Q'ty
1	612-2SI	Housing Cover	1	26	114DA-11	Front Plate	1
2	CRTW-12	Retainer	1	27	25-3.5	Roll Pin(2.5ø-3.5mm)	1
3	680-28A	Screen	1	28	608ZZ	Ball Bearing	1
4	610-2	Inlet Bushing	1	29	115-26	Motor Clamp Nut	1
5	610-30	Retaining Ring	1	30	114DA-10	Collar	1
6	610-29	Deflector	1	31	114DA-7	Coupling	1
7	620-28	O-Ring	1	32	EE3	Ball Bearing	1
8	30-24	Roll Pin(3ø-24mm)	1	33	114DA-4	Pinion Gear	1
9	350-2	Throttle Lever	1	34	114-4	Angle Head Coupling Nut	1
10	612-1	Motor Housing incl. Bush(330-4)	1	35	114DA-3B	Angle Head	1
11	330-5	Valve Stem	1	36	S-5	O-Ring	1
12	P-4	O-Ring	1	37	A-M50---60	Screw	1
13	350-7	Valve Spring	1	38	R4ZZ	Ball Bearing	1
14	114DA-103	Air Regulator	1	39	JS-9	Retaining Ring	1
15	15-6	Roll Pin(1.5ø-6mm)	1	40	114DA-5	Bevel Gear	1
16	P-8	O-Ring	1	41	114DA-9	Spacer	1
17	P-10	O-Ring	1	42	6000ZZ	Ball Bearing	1
18	114DA-101	Valve screw	1	43	114DA-2	Spindle	1
19	114DA-102	Regulator Knob	1	44	1041-50	Felt	1
20	696ZZ	Ball Bearing	1	45	114DA-8	Spindle Nut	1
21	610-12	Rear Plate	1	46	115MS-2	Disc Receiver	1
22	25-5	Roll Pin(2.5ø-5mm)	2	47	115MS-1	Disc Screw	1
23	330-17	Cylinder	1	48	330-28	Spanner Wrench (11×17mm)	1
24	330-16	Rotor Blade	4	49	WRA-5	5mm Allen Wrench	1
25	114DA-1	Rotor	1	50	262-21MS	ø50mm Velcro Pad	1