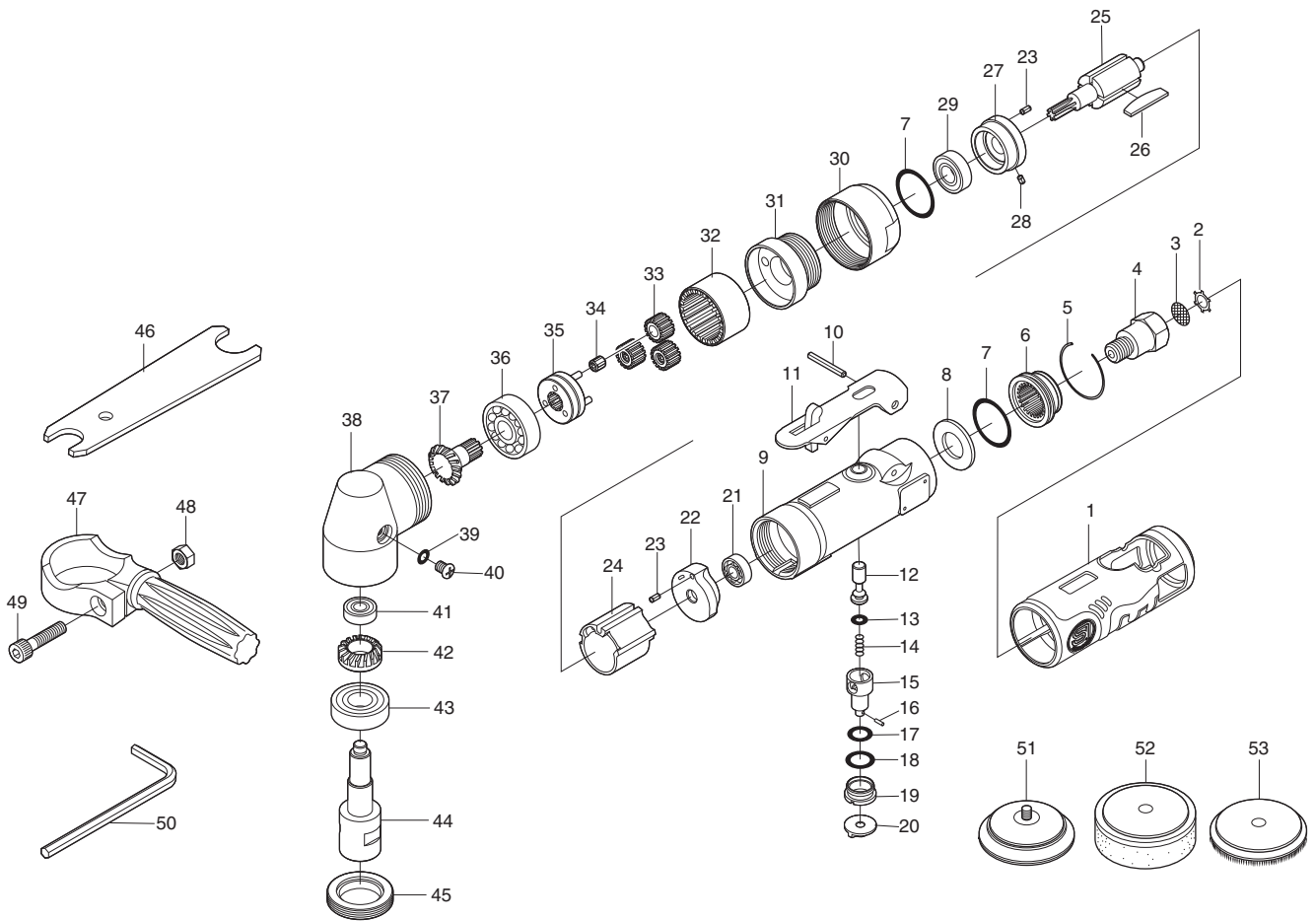


# SI-2009EX

## Mini Polisher



Ref. No.	Parts No.	Description	Q'ty	Ref. No.	Parts No.	Description	Q'ty
1	612-2SI	Housing Cover	1	28	25-3.5	Roll Pin(2.5ø-3.5mm)	1
2	CRTW-12	Retainer	1	29	699ZZ	Ball Bearing	1
3	680-28A	Screen	1	30	1151-10	Angle Head Coupling Nut	1
4	610-2	Inlet Bushing	1	31	1151-9	Motor Clamp Nut	1
5	610-30	Retaining Ring	1	32	1151-6	Internal Gear	1
6	610-29	Deflector	1	33	1151-16	Planet Gear	1
7	620-28	O-Ring	2	34	1300-45C-4	Cage incl. Pins(1300-45C4A×5)	3
8	570-1	Felt Ring	1	35	1151-7AS	Cage incl. Pins(3000-15-8×3)	1
9	612-1	Motor Housing incl. Bush(330-4)	1	36	6200	Ball Bearing	1
10	30-24	Roll Pin(3ø-24mm)	1	37	1151-2	Pinion Gear	1
11	350-2L	Throttle Lever	1	38	1151-1	Angle Head	1
12	330-5	Valve Stem	1	39	S-5	O-Ring	1
13	P-4	O-Ring	1	40	A-M50--60	Screw	1
14	350-7	Valve Spring	1	41	R4ZZ	Ball Bearing	1
15	114DA-103	Air Regulator	1	42	1151-3	Bevel Gear	1
16	15-6	Roll Pin(1.5ø-6mm)	1	43	6001ZZ	Ball Bearing	1
17	P-8	O-Ring	1	44	1151-4	Spindle	1
18	P-10	O-Ring	1	45	1151-5	Spindle Nut	1
19	114DA-101	Valve Screw	1	46	330-28	Spanner Wrench (11×17mm)	1
20	114DA-102	Regulator Knob	1	47	1151-14	Handle	1
21	696ZZ	Ball Bearing	1	48	N1-M60	Nut	1
22	610-12	Rear Plate	1	49	Z-M60--250	Cap Screw	1
23	25-5	Roll Pin(2.5ø-5mm)	2	50	WRA-5	5mm Allen Wrench	1
24	330-17	Cylinder	1	51	M-75H	3"Velcro Pad with 5/16-24UNF	1
25	1151-11	Rotor	1	52	119-101	ø80mm Sponge Buff	1
26	330-16	Rotor Blade	4	53	119-102	ø80mm Wool Buff	1
27	1151-13	Front Plate	1				