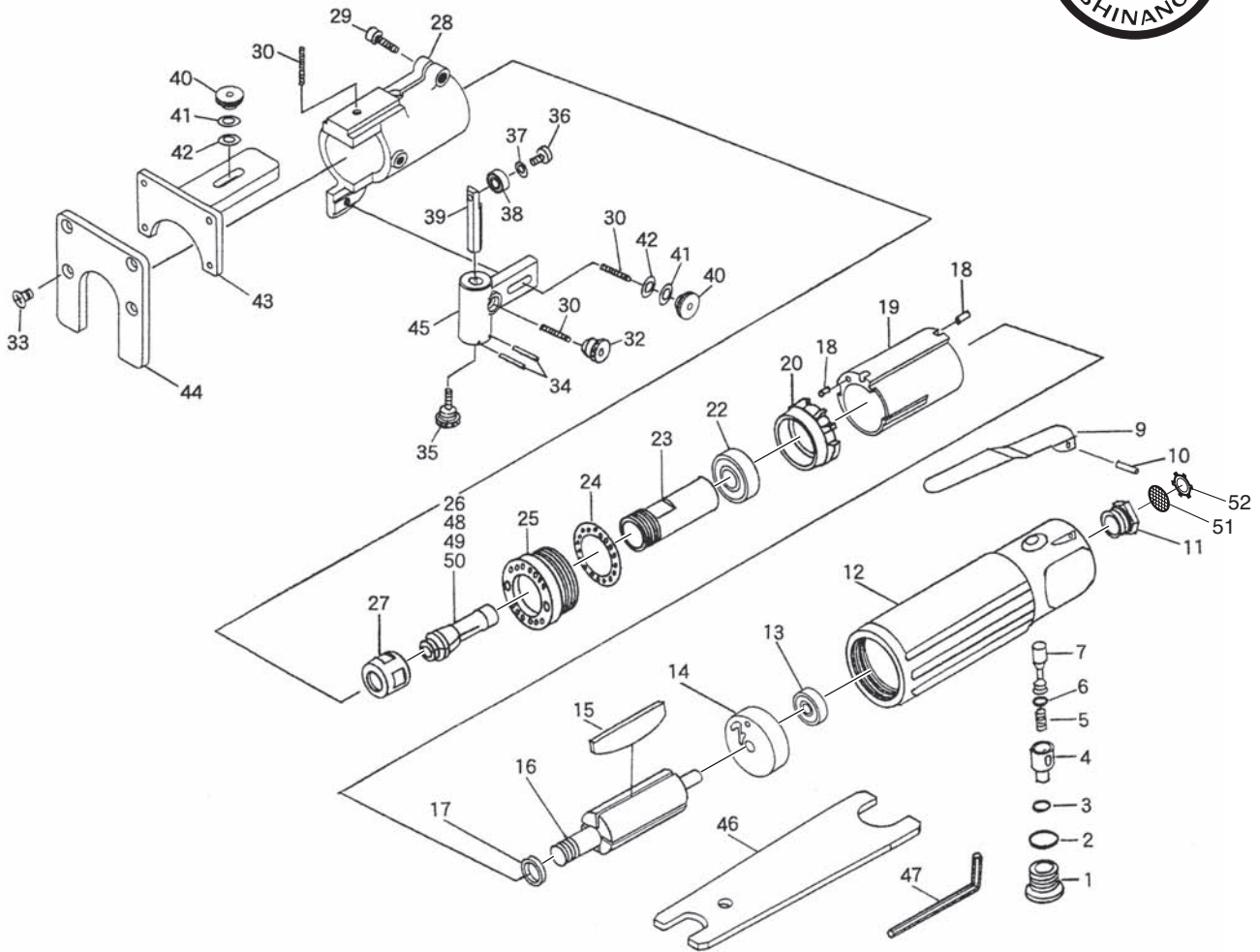


# SI-2018A

## Trimmer



| Ref. No. | Parts No. | Description                            | Q'ty | Ref. No. | Parts No.  | Description              | Q'ty |
|----------|-----------|--|------|----------|------------|--------------------------|------|
| 1        | 350-10    | Valve Screw                            | 1    | 27       | 350-23     | Collet Nut               | 1    |
| 2        | P-11      | O-Ring                                 | 1    | 28       | 290-1A     | Trimming Housing         | 1    |
| 3        | P-8       | O-Ring                                 | 1    | 29       | Z-M60--200 | Cap Screw                | 1    |
| 4        | 350-8A    | Air Regulator                          | 1    | 30       | 290-16     | Screw                    | 3    |
| 5        | 350-7     | Valve Spring                           | 1    | 32       | 290-6      | Clamp Screw              | 1    |
| 6        | P-5       | O-Ring                                 | 1    | 33       | E-M40--100 | Screw                    | 4    |
| 7        | 350-5     | Valve Stem                             | 1    | 34       | 25-14      | Roll Pin (2.5ø-14mm)     | 2    |
| 8        | 350-4     | Valve Bush                             | 1    | 35       | 290-5      | Adjust Screw             | 1    |
| 9        | 290-17    | Throttle Lever                         | 1    | 36       | 290-8      | Screw                    | 1    |
| 10       | 30-24     | Roll Pin (3ø-24mm)                     | 1    | 37       | PW-45      | Washer                   | 1    |
| 11       | 670-22    | Inlet Bushing                          | 1    | 38       | R3-ZZ      | Ball Bearing             | 1    |
| 12       | 290-44    | Motor Housing incl. Valve Bush (350-4) | 1    | 39       | 290-4      | Adjust Bar               | 1    |
| 13       | 626-ZZ    | Ball Bearing                           | 1    | 40       | 290-7      | Nut                      | 2    |
| 14       | 350-12    | Rear Plate                             | 1    | 41       | 145-16-5   | Cup Spring               | 2    |
| 15       | 350-16    | Rotor Blade                            | 4    | 42       | PW-50      | Washer                   | 2    |
| 16       | 350-15    | Rotor                                  | 1    | 43       | 290A-2A    | Shoe                     | 1    |
| 17       | 350-18    | Collar                                 | 1    | 44       | 290A-3A    | Shoe Plate               | 1    |
| 18       | 25-5      | Roll Pin (2.5ø-5mm)                    | 2    | 45       | 290-47A    | Guide Arm                | 1    |
| 19       | 680-1     | Cylinder                               | 1    | 46       | 350-28     | Spanner Wrench (14x19mm) | 2    |
| 20       | 350-19    | Front Plate                            | 1    | 47       | WRA-5      | 5mm Allen Wrench         | 1    |
| 22       | 6000-ZZ   | Ball Bearing                           | 1    | ◆ 48     | 330-25     | 1/8" Collet              |      |
| 23       | 350-22    | Spindle                                | 1    | ◆ 49     | 330-26     | 3mm Collet               |      |
| 24       | 350-25    | Silencer                               | 1    | ◆ 50     | 330-19     | 6mm Collet               |      |
| 25       | 290-42    | Lock Nut                               | 1    | 51       | 680-28A    | Screen                   | 1    |
| 26       | 330-24    | 1/4" Collet                            | 1    | 52       | CRTW-12    | Retainer                 | 1    |