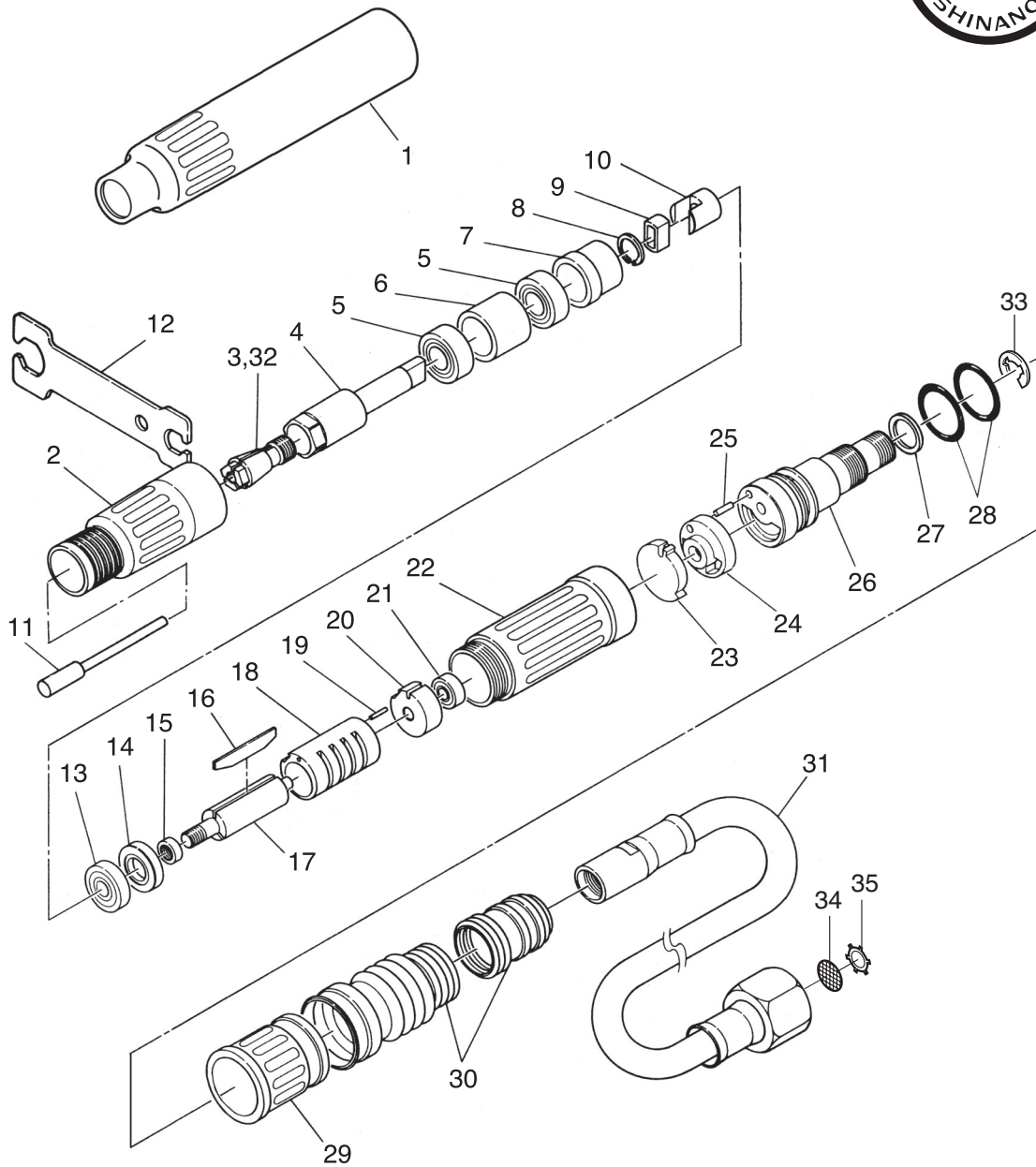


SI-2051SG

Micro Straight Grinder



| Ref. No. | Parts No. | Description | Q'ty | Ref. No. | Parts No. | Description | Q'ty |
|----------|-----------|----------------------------|------|----------|-----------|---|------|
| 1 | 340-60 | Housing Cover | 1 | 19 | 340-16 | Cylinder Pin | 1 |
| 2 | 340-1A | Front Case | 1 | 20 | 340-15 | Rear Plate | 1 |
| 3 | 340-2A | 3mm Collet | 1 | 21 | 693ZZ | Ball Bearing | 1 |
| 4 | 340-3 | Spindle | 1 | 22 | 340-20A | Motor Housing | 1 |
| 5 | 686ZZ | Ball Bearing | 2 | 23 | 340-17 | Spacer | 1 |
| 6 | 340-6 | Spindle Collar A | 1 | 24 | 340-18 | Connector | 1 |
| 7 | 340-8 | Spindle Collar B | 1 | 25 | 1500-68 | Pin | 1 |
| 8 | GV-6 | Retaining Ring | 1 | 26 | 340-21 | Valve Body | 1 |
| 9 | 340-4 | Joint Cushion | 1 | 27 | 340-54 | Washer | 1 |
| 10 | 340-9 | Coupling | 1 | 28 | 340-23 | O-Ring | 2 |
| 11 | 340-55 | 5ømm Grindstone | 1 | 29 | 340-24 | Valve Ring | 1 |
| 12 | 340-27 | Spanner Wrench (Hex 6x9mm) | 2 | 30 | 340-26 | Exhaust Hose | 1 |
| 13 | 604ZZ | Ball Bearing | 1 | 31 | 340-25 | Wipe Hose Assy. incl. (340-25A, 340-25B, 340-25D) | 1 |
| 14 | 340-12 | Front Plate | 1 | 32 | 340-2B | 1/8" Collet | |
| 15 | 340-29 | Rotor Collar | 1 | 33 | IE-8 | Retaining Ring | 1 |
| 16 | 340-11 | Rotor Blade | 3 | 34 | 680-28A | Screen | 1 |
| 17 | 340-10 | Rotor | 1 | 35 | CRTW-12 | Retainer | 1 |
| 18 | 340-14 | Cylinder | 1 | | | | |