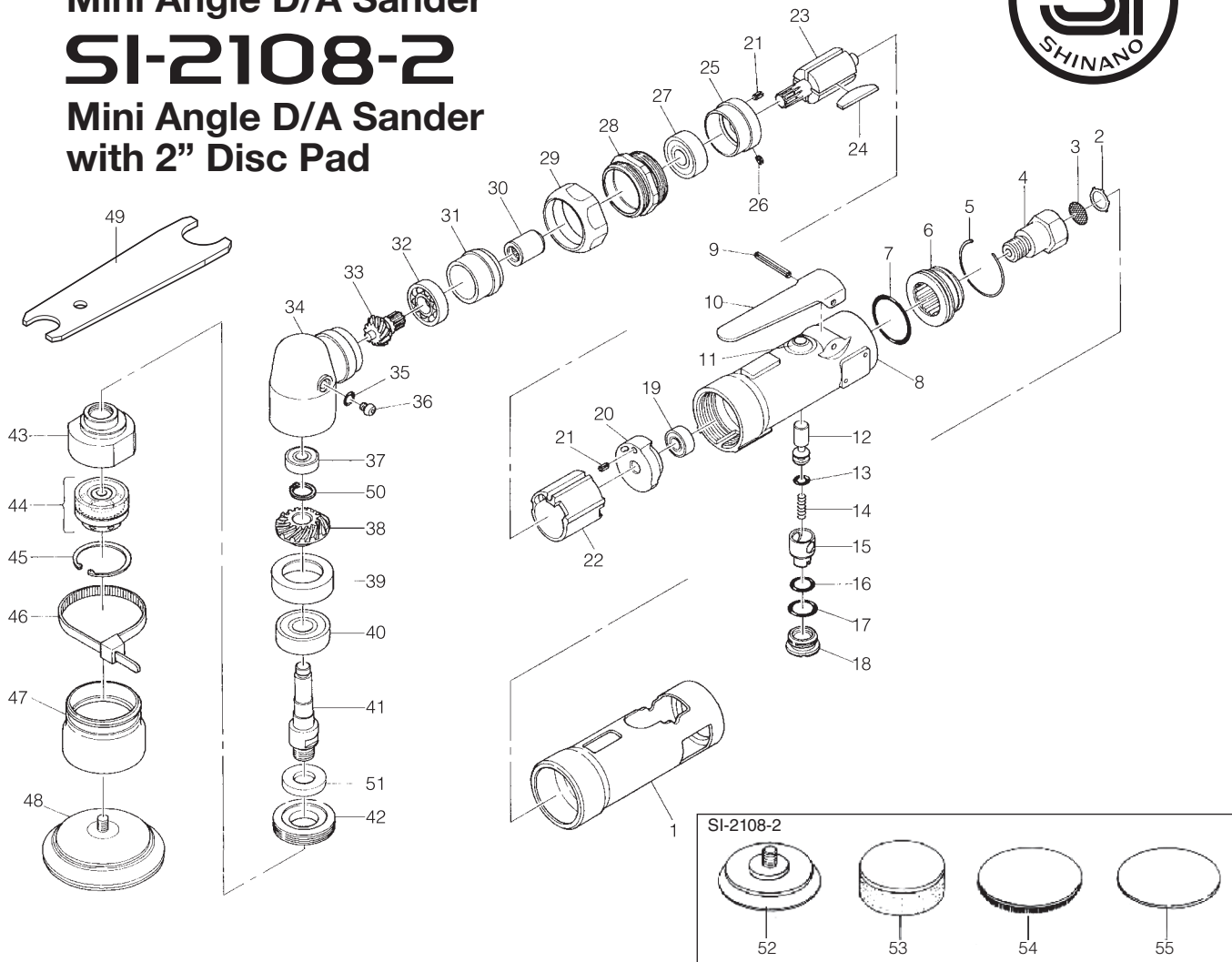


SI-2108

Mini Angle D/A Sander

SI-2108-2

Mini Angle D/A Sander with 2" Disc Pad



Ref. No.	Parts No.	Description	Q'ty	Ref. No.	Parts No.	Description	Q'ty
1	612-2R	Housing Cover	1	29	114-4	Angle Head Coupling Nut	1
2	CRTW-12	Retainer	1	30	114DA-7	Coupling	1
3	680-28A	Screen	1	31	114DA-10	Collar	1
4	610-2	Inlet Bushing	1	32	EE3	Ball Bearing	1
5	610-30	Retaining Ring	1	33	114DA-4	Pinion Gear	1
6	610-29	Deflector	1	34	114DA-3B	Angle Head	1
7	620-28	O-Ring	1	35	S-5	O-ring	1
8	612-1	Motor Housing incl. Bush (330-4)	1	36	A-M50--60	Screw	1
9	30-24	Roll Pin (3ø-24mm)	1	37	R4ZZ	Ball Bearing	1
10	350-2	Throttle Lever	1	38	114DA-5	Bevel Gear	1
11	330-4	Valve Bush	1	39	114DA-9	Spacer	1
12	330-5	Valve Stem	1	40	6000ZZ	Ball Bearing	1
13	P-4	O-Ring	1	41	114DA-2	Spindle	1
14	350-7	Valve Spring	1	42	114DA-8	Spindle Nut	1
15	330-8A	Air Regulator	1	43	262-19A	Balancer	1
16	P-8	O-Ring	1	44	262-20M	Random Shaft Ass'y. incl. Ball Bearing, Spacer & Felt Ring (6000ZZ, 262-22A, 262-23A)	1
17	P-10	O-Ring	1				
18	330-10	Valve Screw	1	45	BO-26	Retaining Ring	1
19	696ZZ	Ball Bearing	1	46	115BD-3	Band	1
20	610-12	Rear Plate	1	47	114DA-6A	Balancer Cover	1
21	25-5	Roll Pin (2.5ø-5mm)	2	48	114DA-12	ø75mm Velcro Pad M6	1
22	330-17	Cylinder	1	49	330-28	Spanner Wrench (11x17mm)	1
23	114DA-1	Rotor	1	50	JS-9	Retaining Ring	1
24	330-16	Rotor Blade	4	51	1041-50	Felt	1
25	114DA-11	Front Plate	1	☆ 52	262-21MS	ø50mm Velcro Pad	1
26	25-3.5	Roll Pin (2.5ø-3.5mm)	1	☆ 53	M-20	ø60mm Sponge Buff	1
27	608ZZ	Ball Bearing	1	☆ 54	M-60	ø60mm Wool Buff	1
28	115-26	Motor Clamp Nut	1	☆ 55	SHP-50M-80	ø50mm Sanding Paper #80	3