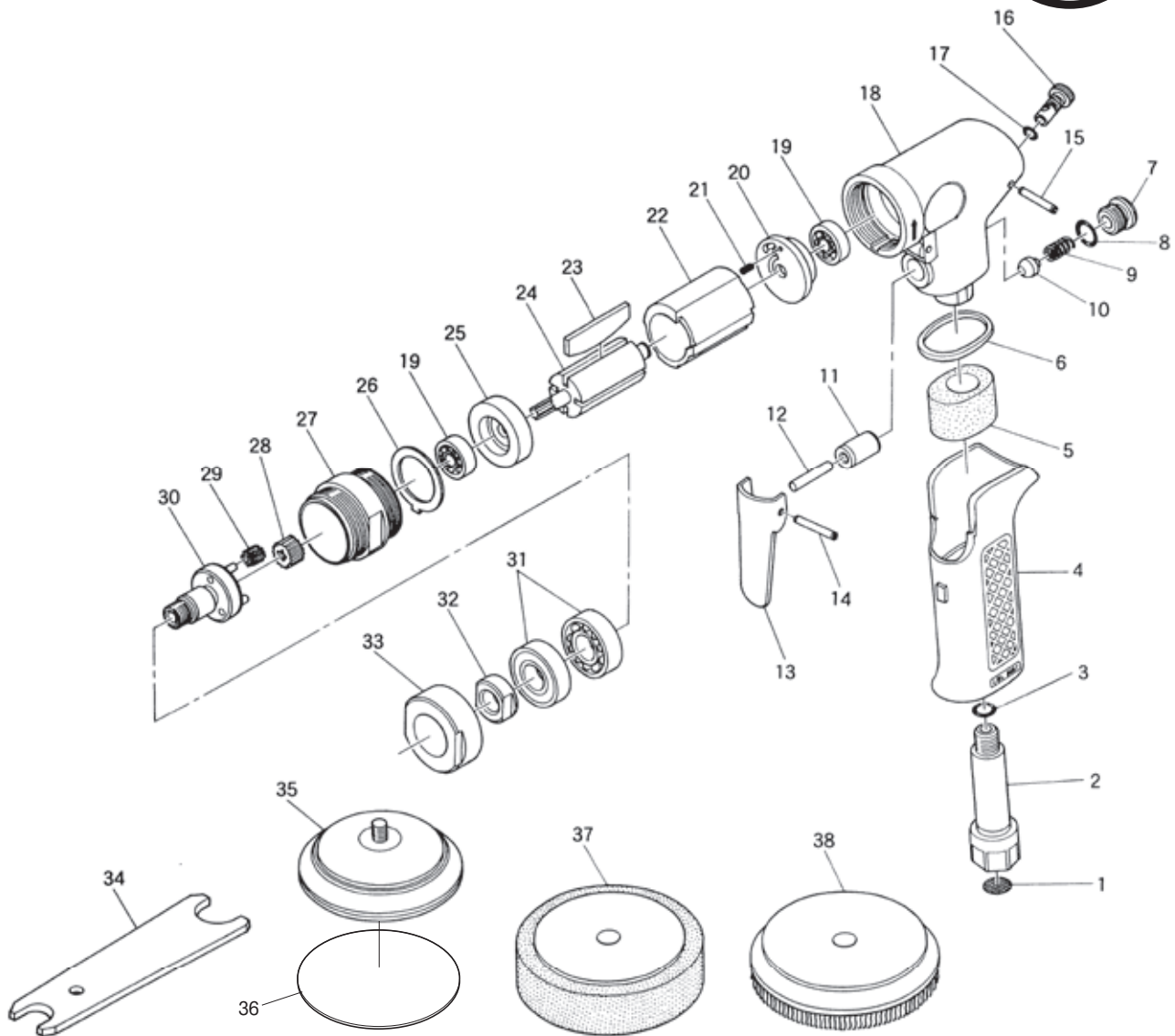


SI-2221

Mini Polisher



Ref. No.	Parts No.	Description	Q'ty	Ref. No.	Parts No.	Description	Q'ty
1	680-28A	Screen	1	20	119-10	Rear Plate	1
2	310-37	Inlet Bushing	1	21	15-6	Roll Pin (1.5ø-6mm)	1
3	129-6	O-Ring	1	22	800-1	Cylinder	1
4	129-3	Grip	1	23	301-15	Rotor Blade	4
5	129-7	Muffler	1	24	119GS-2	Rotor	1
6	129-2	Gasket	1	25	119GS-9	Front Plate	1
7	800-14	Valve Screw	1	26	119-7	Spacer	1
8	P-9	O-Ring	1	27	119GS-3	Internal Gear	1
9	670-49	Valve Spring	1	28	119GS-6	Pinion Gear	1
10	300-10	Valve	1	29	119GS-8	Planet Gear	3
11	670-10	Valve Bush	1	30	119KS-2	Spindle incl. Pins (3000-13-8x3)	1
12	129-5	Valve Pin	1	31	6001ZZ	Ball Bearing	2
13	312-12T	Throttle Lever	1	32	119KS-3	Spindle Nut	1
14	30-22	Roll Pin (3ø-22mm)	1	33	119GS-4	Clamp Nut	1
15	25-20	Roll Pin (2.5ø-20mm)	1	34	330-28	Spanner Wrench (11x17mm)	1
16	129-4	Regulator	1	35	114DA-12	ø75mm Velcro Pad M6	1
17	S-4	O-Ring	1	36	NVP75-120	ø75mm Sanding Paper #120	3
18	129-1	Motor Housing incl. Valve Bush(670-10)	1	37	119-101	ø80mm Sponge Buff	1
19	626	Ball Bearing	2	38	119-102	ø80mm Wool Buff	1