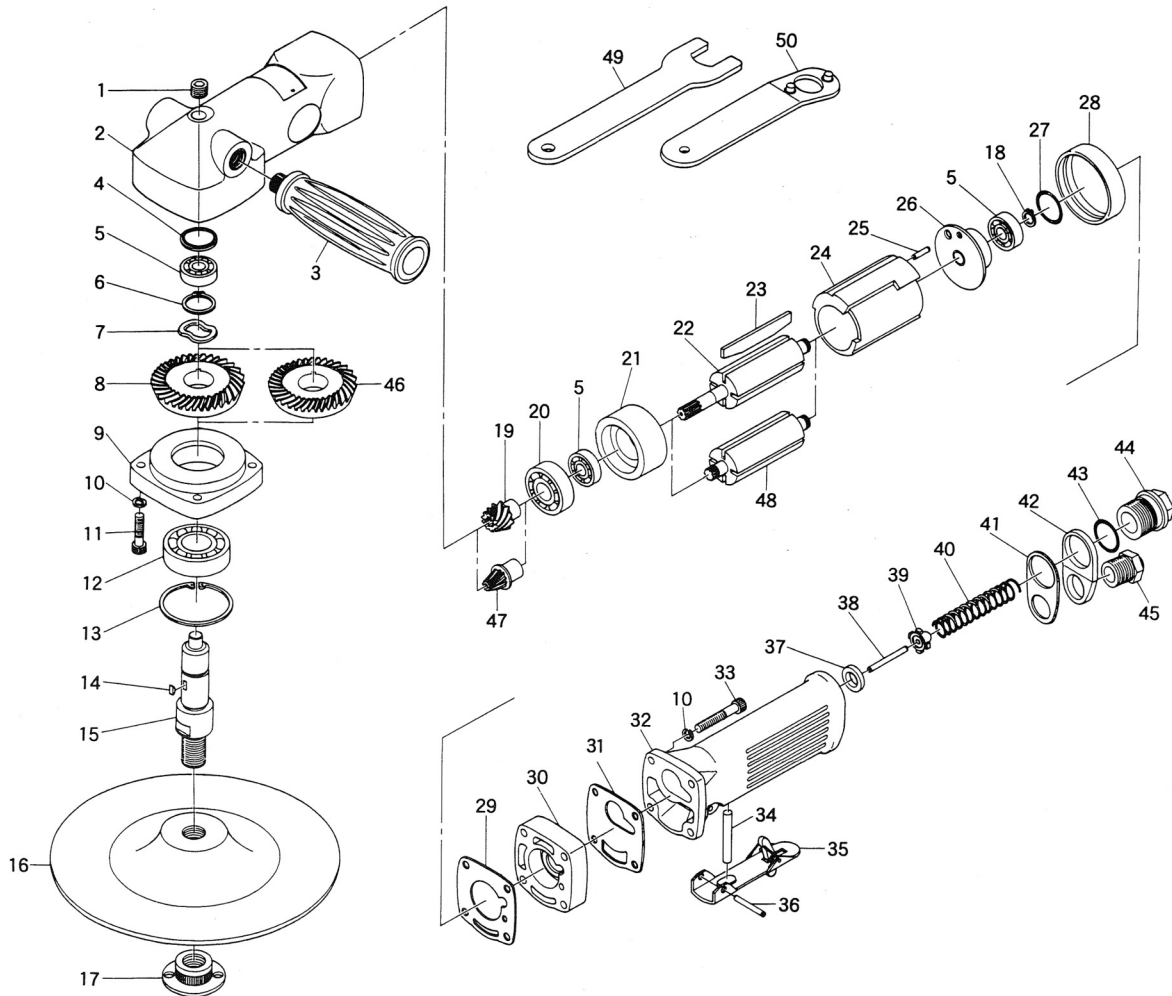


SI-2451

7" Angle Polisher



Ref. No.	Parts No.	Description	Q'ty	Ref. No.	Parts No.	Description	Q'ty
1	PT-1/8	Plug	1	26	650-14	Rear Plate	1
2	510A-1	Motor Housing	1	27	P-18	O-Ring	1
3	510-50	Handle	1	28	510-51	Housing Band	1
4	510-24	Spacer	1	29	510A-4	Motor Gasket	1
5	608	Ball Bearing	3	30	510A-3	Housing Spacer	1
6	JS-17	Retaining Ring	1	31	510A-5	Valve Housing Gasket	1
7	WW-170	Wave Washer	1	32	510A-2	Valve Housing	1
★8	510-25	Bevel Gear	1	33	Z-M50-320	Cap Screw	4
9	510-6	Spindle Cap	1	34	510A-6	Valve Pin	1
10	HSW-50	Washer	8	35	350-2L	Throttle Lever	1
11	Z-M50-220	Cap Screw	4	36	30-24	Roll Pin (3-24mm)	1
12	6203-LU	Ball Bearing	1	37	960-34	Valve Seat	1
13	IO-40	Retaining Ring	1	38	30-32	Roll Pin (3-32mm)	1
14	480-23	Key	1	★39	960-35	Valve	1
15	510-46	Spindle	1	40	510A-45	Valve Spring	1
16	820-52	Back Disc	1	41	458-46	Exhaust Gasket	1
17	820-54	Disc Nut	1	42	732-12	Exhaust Retainer	1
18	JS-8	Retaining Gear	1	43	991-7	O-Ring	1
★19	510-26	Pinion Gear	1	44	991-5SC	Inlet Bushing incl. Screen (680-28A)	1
20	6201	Ball Bearing	1	45	650-16	Exhaust Deflector	1
21	510-8	Front Plate	1	46	515-25	Bevel Gear	1
★22	660-2	Rotor	1	47	515-48	Pinion Gear	1
23	650-13	Rotor Blade	4	48	515-21	Rotor	1
24	650-4PM	Cylinder	1	49	660-19	Spanner Wrench (19mm)	1
25	30-12	Roll Pin (3-12mm)	1	50	510-2	Pin Wrench (5φ×30mm)	1