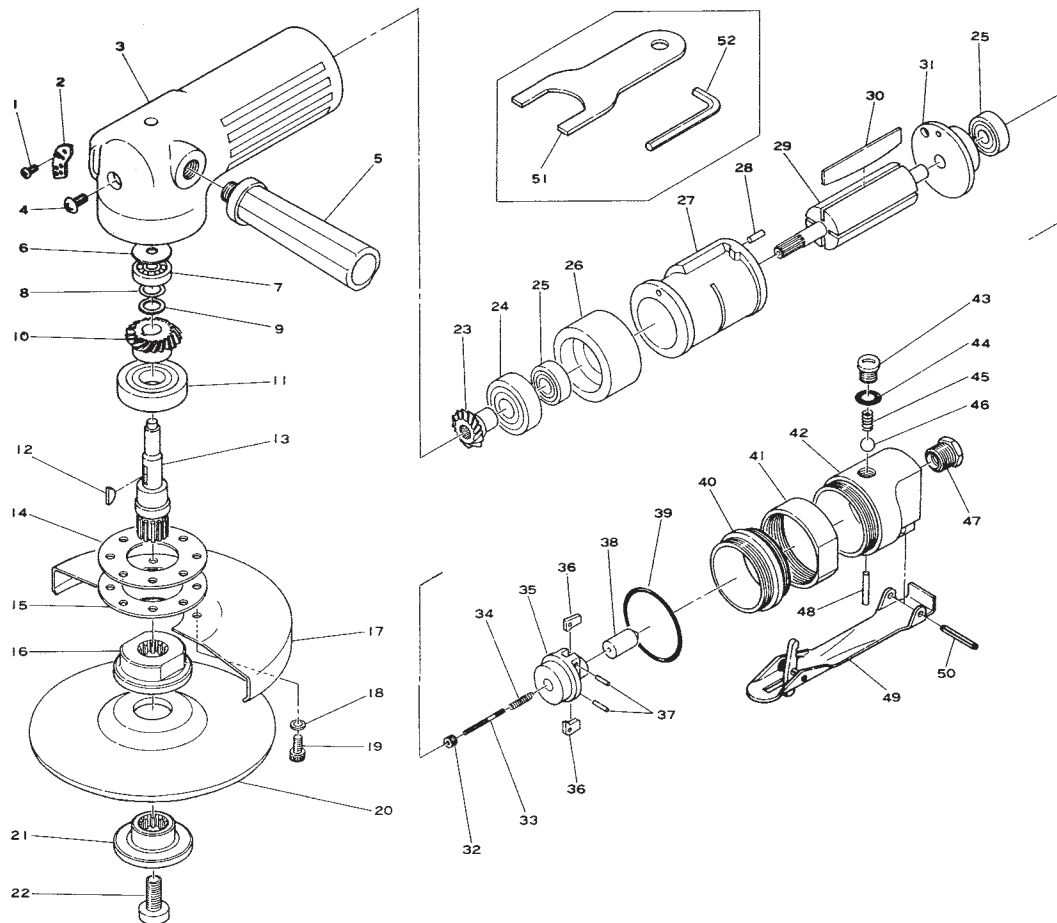


SI-2505L

5" Disc Grinder



Ref. No.	Parts No.	Description	Q'ty	Ref. No.	Parts No.	Description	Q'ty
1	JBM30-80	Screw	2	27	650-4B	Cylinder	1
2	240-25	Deflector	1	28	30-6	Roll Pin (3-6mm)	1
3	240-10	Motor Housing	1	29	240-23	Rotor	1
4	F-M60-80	Screw	1	30	650-13	Rotor Blade	4
5	240B-2	Handle	1	31	650-14	Rear Plate	1
6	240-18	Spacer	1	32	240-33	Adjust Nut	1
7	626	Ball Bearing	1	33	240-32	Adjust Screw	1
8	JS-10	Retaining Ring	1	34	240-34	Governor Spring	1
9	WW-100	Wave Washer	1	35	240-29	Governor	1
10	241-8	Bevel Gear	1	36	240-30	Pendulum	6
11	6202-ZZ	Ball Bearing	1	37	30-12	Roll Pin (3-12mm)	2
12	480-23	Key	1	38	240-31	Plunger	1
13	241-1	Spindle	1	39	450-35	O-Ring	1
14	240-5	Gasket	1	40	240-64	Lock Nut	1
15	240-4	Retainer	1	41	240-65	Coupling Nut	1
16	241-2	Disc Receiver	1	42	240-66	Valve Housing incl. Valve Bush (280-67)	1
17	241-5	Disc Cover	1	43	230-68	Valve Screw	1
18	HSW-50	Washer	4	44	P-10	O-Ring	1
19	Z-M50-150	Cap Screw	4	45	450-24	Valve Spring	1
20	241-49	5" Disc	1	46	240-73	Valve	1
21	241-3	Disc Nut	1	47	670-22	Inlet Bushing	1
22	241-4	Cap Screw	1	48	240-70	Valve Pin	1
23	241-9	Pinion Gear	1	49	240-68	Throttle Lever	1
24	6201	Ball Bearing	1	50	40-30	Roll Pin (4-30mm)	1
25	608-ZZ	Ball Bearing	2	51	241-27	Spanner Wrench (28mm)	1
26	510-8	Front Plate	1	52	WRA-6	6mm Allen Wrench	1