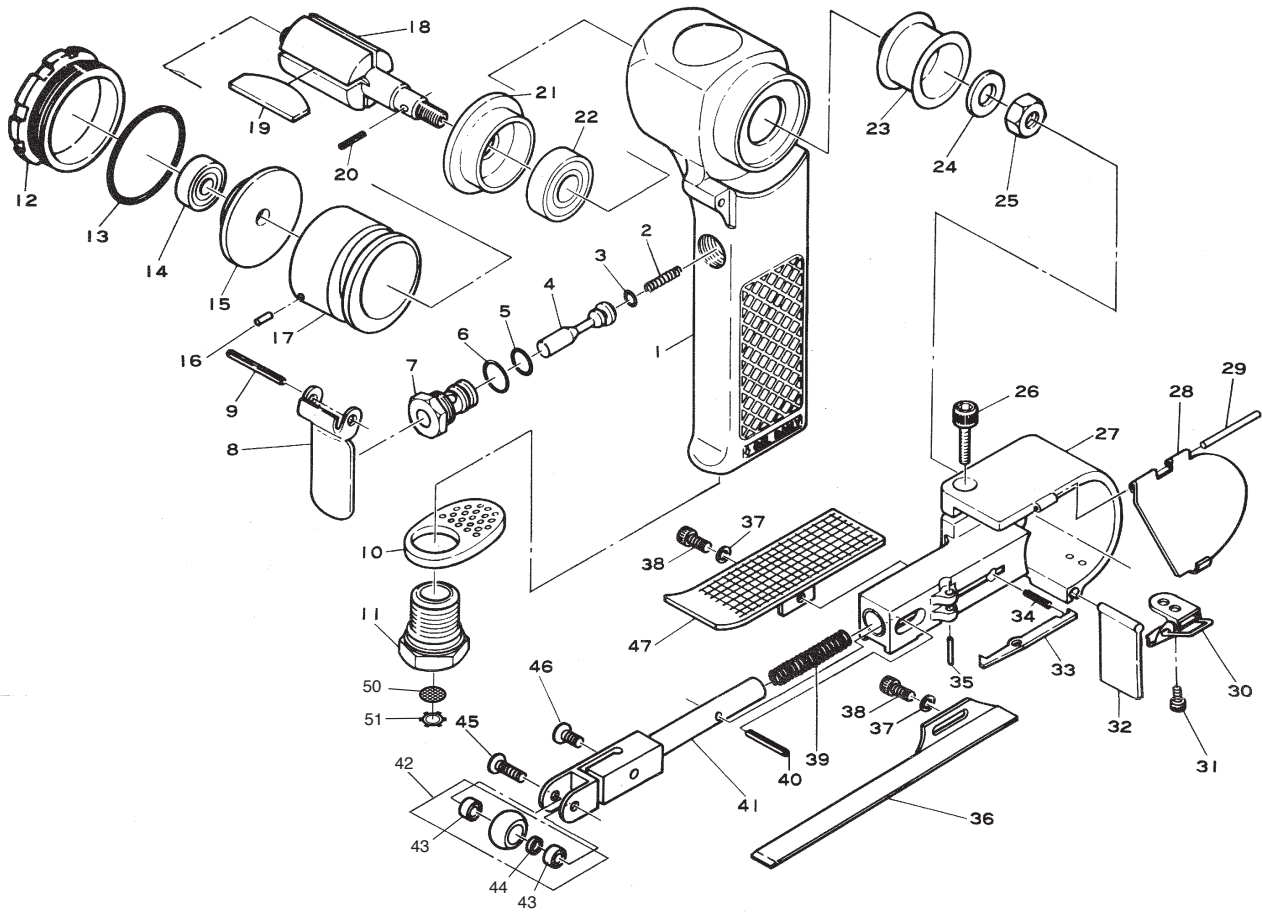


SI-2800

20mm Belt Sander



Ref. No.	Parts No.	Description	Q'ty	Ref. No.	Parts No.	Description	Q'ty
1	507-45	Motor Housing	1	27	507-25	Wheel Cover incl. Insert Spacer(507-34)	1
2	482-46	Valve Spring	1	28	507-42A	Wheel Cover Lid	1
3	P-4	O-Ring	1	29	20-30	Roll Pin (2-30mm)	1
4	485-1	Valve Stem	1	30	507-46	Cover Latch	1
5	P-8	O-Ring	1	31	Z-M30-50	Cap Screw	2
6	S-10	O-Ring	1	32	507-29	Apron	1
7	485-5	Valve Body	1	33	507-41	Stopper	1
8	509-4	Throttle Lever	1	34	507-22	Stopper Spring	1
9	30-24	Roll Pin (3-24mm)	1	35	30-12	Roll Pin (3-12mm)	1
10	509-3	Deflector	1	36	507-15	Shoe	1
11	509-2	Inlet Bushing	1	37	PW-50	Washer	2
12	509-13	Motor Nut	1	38	Z-1024-95	Cap Screw	2
13	450-35	O-Ring	1	39	507-33	Tension Spring	1
14	626	Ball Bearing	1	40	507-1	Stopper Pin	1
15	509-11	Rear Plate	1	41	507-30	Tension Arm	1
16	20-6	Roll Pin (2-6mm)	1	42	507-35A	Idle Pulley Assy (incl. 686-ZZx2 & 507-37)	1
17	507-31	Cylinder	1	43	686ZZ	Ball Bearing	2
18	507-32	Rotor	1	44	507-37	Collar	1
19	170-5	Rotor Blade	4	45	507-38	Idle Shaft	1
20	520-17	Pin	1	46	Y-M60-180	Counter Sink	1
21	509-18	Front Plate	1	47	507-44	Finger Plate	1
22	6000ZZ	Ball Bearing	1	* 48	WRA-4	4mm Allen Wrench	1
23	507-23	Drive Pulley	1	* 49	507-58Z/60	20mm Sanding Belt #60	6
24	BT-80	Washer	1	50	680-28A	Screen	1
25	N2-M80	Nut	1	51	CRTW-12	Retainer	1
26	Z-1024-180	Cap Screw	1				