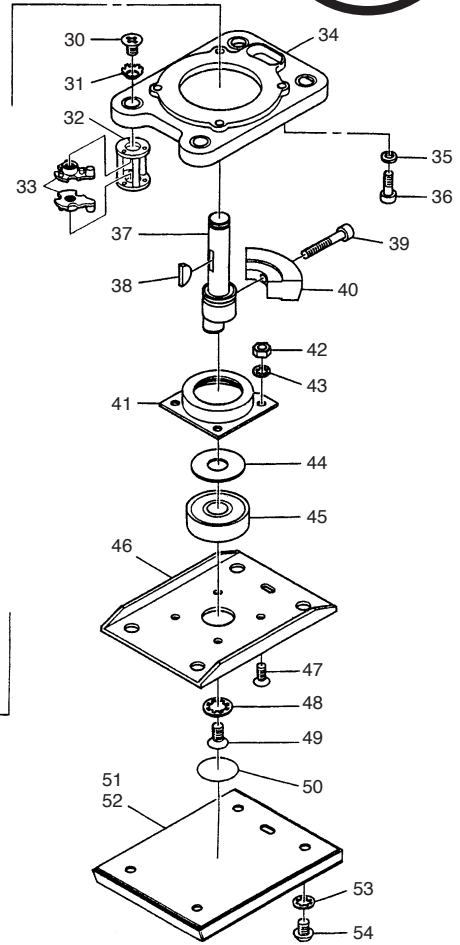
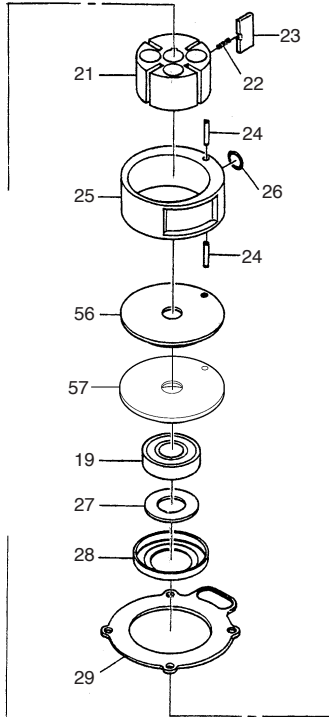
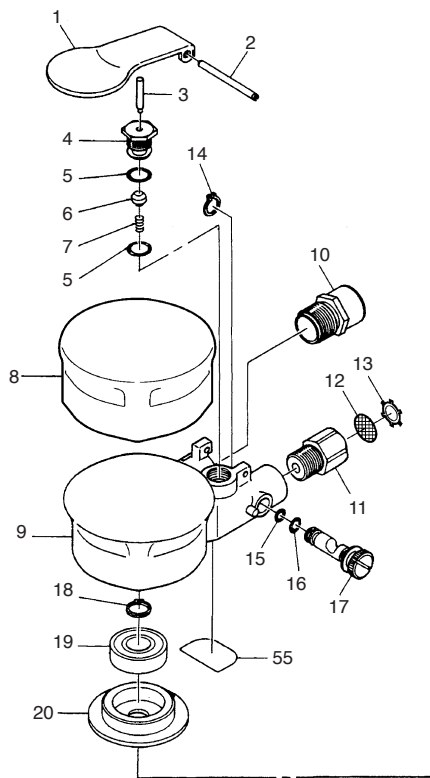


SI-3001A(M)

Mini Orbital Sander



Ref. No.	Parts No.	Description	Q'ty	Ref. No.	Parts No.	Description	Q'ty
1	1040-11	Throttle Lever	1	30	E-M50---80	Screw	4
2	30-40	Roll Pin(3φ-40mm)	1	31	CT-50	Washer	4
3	455-11	Valve Pin	1	32	1040-22	Plastic Support	4
4	490-4	Valve Body	1	33	1040-23	Metal Fitting	8
5	S-10	O-Ring	2	34	1040-3	Motor Retainer	1
6	455-21	Valve	1	35	1040-19	Washer	4
7	490-20	Valve Spring	1	36	Z-632--127	Cap Screw	4
8	1040-10A	Housing Cover	1	37	1040-8	Crank Shaft	1
9	1040-1	Motor Housing	1	38	480-23	Key	1
10	1040-18AS	Muffler Assy.	1	39	Z-M40--250	Cap Screw	1
11	180-1	Inlet Bushing	1	40	1040-7	Lower Weight	1
12	680-28A	Screen	1	41	490-18	Shoe Bearing Housing	1
13	CRTW-12	Retainer	1	42	N1-M40	Nut	4
14	JS-8	Retaining Ring	1	43	AT-40	Washer	4
15	P-4	O-Ring	1	44	481-10	Spacer(Brass)	1
16	P-5	O-Ring	1	45	6200-LLU	Ball Bearing	1
17	485-4	Air Regulator	1	46	490-19B	Shoe (Square)	1
18	JS-10	Retaining Ring	1	47	E-M40---80	Screw	4
19	6000-ZZ	Ball Bearing	2	48	AT-70	Washer	1
20	1040-5C	Bearing Case C	1	49	E-M50--100	Screw	1
21	1040-4	Rotor	1	50	490-52	Seal(Round)	1
22	490-1	Blade Spring	2	51	P-3003	Leather Pad incl. Plate(490-58B)	1
23	1040-17	Rotor Blade	4	52	M-3003	Velcro Pad incl. Plate(490-58B)	1
24	25-14	Roll Pin(2.5φ-14mm)	2	53	AT-50	Washer	4
25	1040-2	Cylinder	1	54	A-M50--60	Screw	4
26	P-7	O-Ring	1	55	1040-50	Cover Plate	1
27	570-1	Felt Ring	1	56	1040-6C	End Plate	1
28	481-9	Seal Cover	1	57	1040-5	End Plate	1
29	1040-9	Motor Gasket	1				