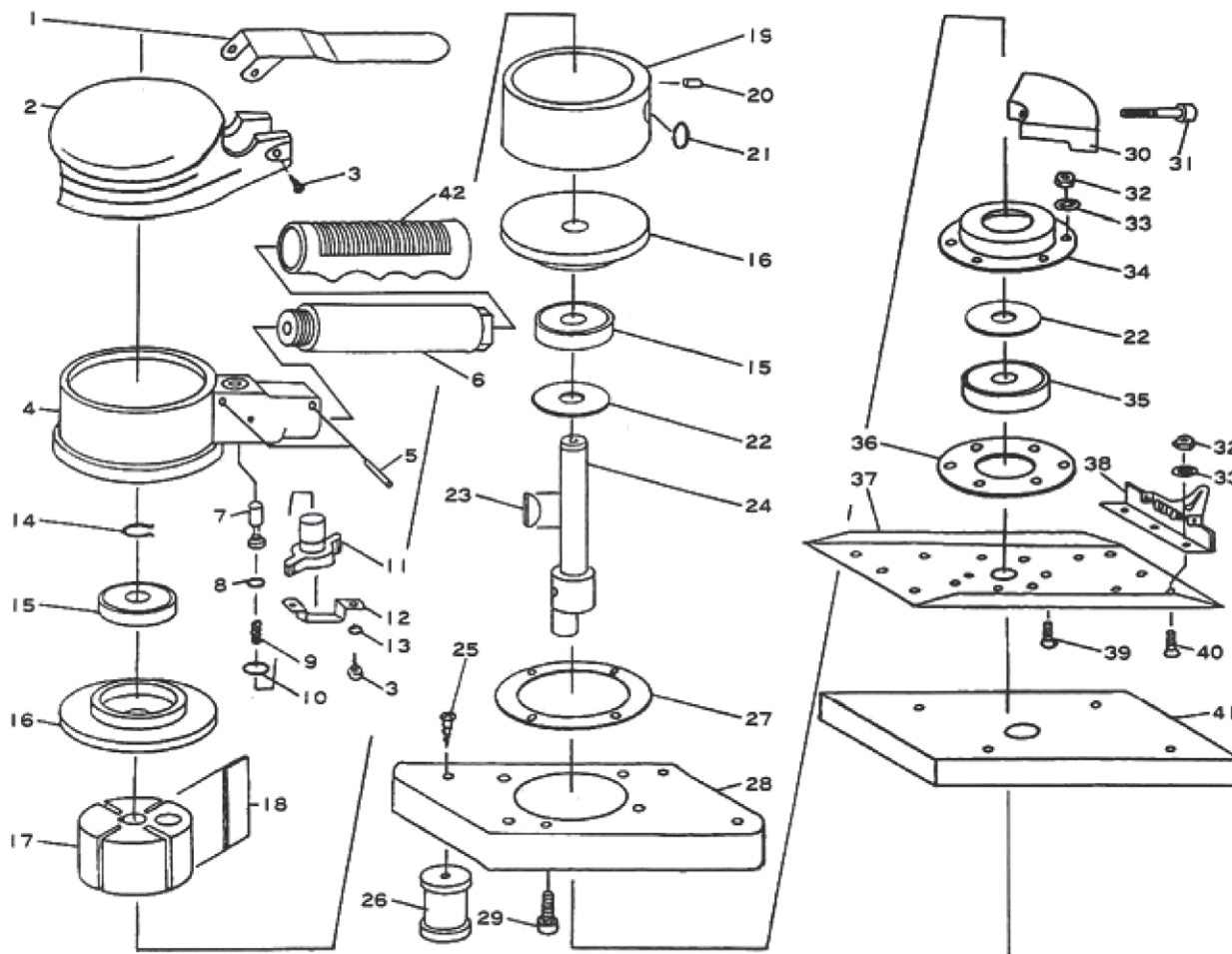


SI-3005

Orbital Sander with Handle Grip



| Ref. No. | Parts No. | Description | Q'ty | Ref. No. | Parts No. | Description | Q'ty |
|----------|-----------|--|------|----------|-----------|----------------------|------|
| 1 | 480-13A | Throttle Lever | 1 | 22 | 481-10 | Spacer (Brass) | 2 |
| 2 | 475-26R | Housing Cover | 1 | 23 | 480-23 | Key | 2 |
| 3 | JBM35-50 | Screw | 4 | 24 | 475-12 | Crank Shaft | 1 |
| 4 | 475-3 | Motor Housing incl. Valve Bush (330-4) | 1 | 25 | JIM50-100 | Screw | 8 |
| 5 | 40-30 | Roll Pin (4ø-30mm) | 1 | 26 | 640-48 | Rubber Support | 4 |
| 6 | 480-15 | Handle Grip | 1 | 27 | 470-49 | Gasket | 1 |
| 7 | 330-5 | Valve Stem | 1 | 28 | 477-16A | Basement | 1 |
| 8 | P-4 | O-Ring | 1 | 29 | Z-M50-120 | Cap Screw | 4 |
| 9 | 350-7 | Valve Spring | 1 | 30 | 475-18 | Lower Weight | 1 |
| 10 | P-8 | O-Ring | 1 | 31 | Z-M40-300 | Cap Screw | 1 |
| 11 | 480-4 | Air Regulator | 1 | 32 | N1-M40 | Nut | 12 |
| 12 | 480-16 | Regulator Retainer | 1 | 33 | AT-40 | Washer | 12 |
| 13 | HSW-35 | Washer | 2 | 34 | 475-20 | Shoe Bearing Housing | 1 |
| 14 | JS-10 | Retaining Ring | 1 | 35 | 6300LLU | Ball Bearing | 1 |
| 15 | 6200ZZ | Ball Bearing | 2 | 36 | 475-24 | Spacer | 1 |
| 16 | 640-12TB | End Plate | 2 | 37 | 475-21 | Shoe | 1 |
| 17 | 475-6TS | Rotor | 1 | 38 | 475-23 | Paper Clip | 2 |
| 18 | 470-9 | Rotor Blade | 4 | 39 | E-M40-100 | Screw | 6 |
| 19 | 640-1 | Cylinder | 1 | 40 | E-M40-80 | Screw | 6 |
| 20 | 30-6 | Roll Pin (3ø-6mm) | 1 | 41 | 475-22 | Pad | 1 |
| 21 | P-7 | O-Ring | 1 | 42 | 480-11A | Grip Cover | 1 |