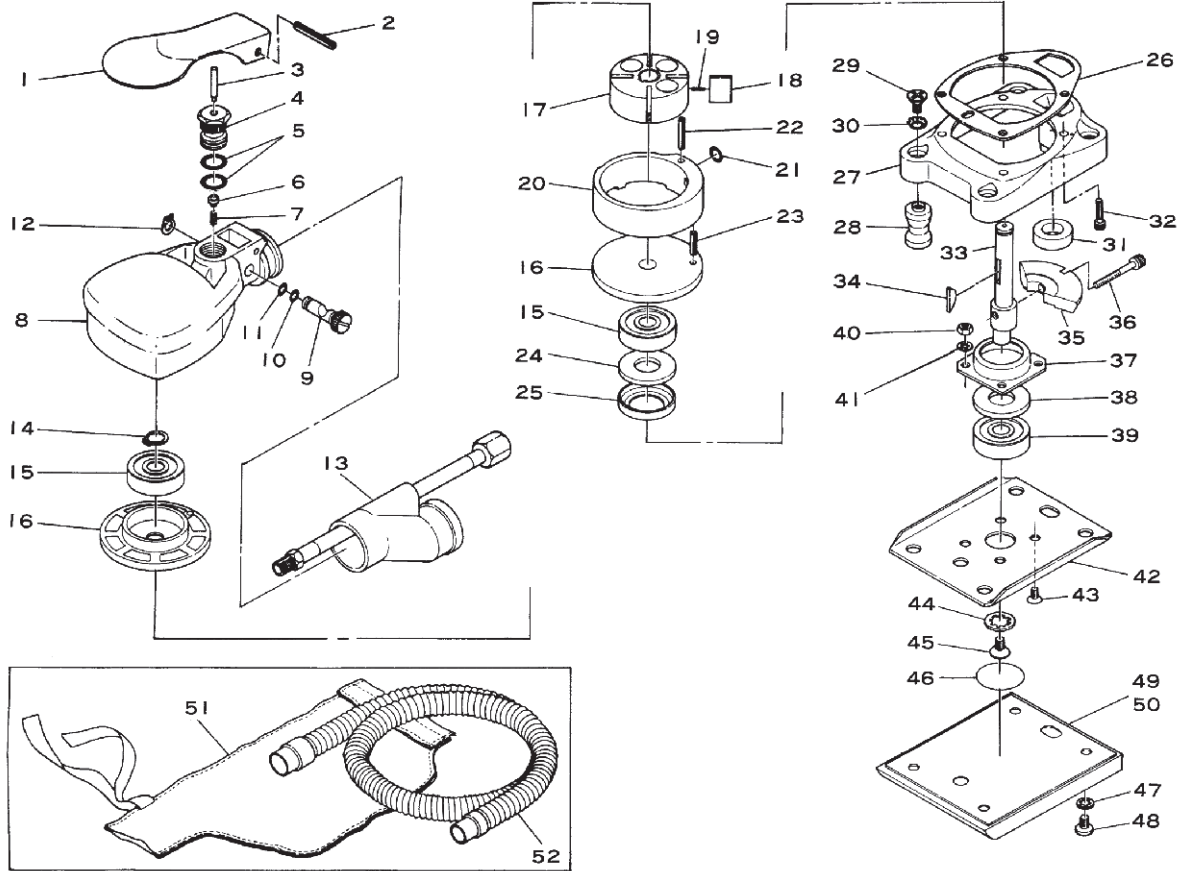


SI-3013(M)

Mini Orbital Sander



Ref. No.	Parts No.	Description	Q'ty	Ref. No.	Parts No.	Description	Q'ty
1	490-8	Throttle Lever	1	27	490-15B	Motor Gasket	1
2	40-30	Roll Pin(4ø-30mm)	1	28	490-48B	Rubber Support	4
3	455-11	Valve Pin	1	29	E-M50-80	Screw	4
4	490-4	Valve Body	1	30	CT-50	Washer	4
5	S-10	O-Ring	2	31	490W-1	Felt	1
6	455-21	Valve	1	32	Z-632-127	Cap Screw	4
7	490-20	Valve Spring	1	33	490-11	Crank Shaft	1
8	490-42	Motor Housing	1	34	480-23	Key	1
9	485-4	Air Regulator	1	35	490-16	Lower Weight	1
10	P-5	O-Ring	1	36	Z-M40---250	Cap Screw	1
11	P-4	O-Ring	1	37	490-18	Shoe Bearing Housing	1
12	JS-8	Retaining Ring	1	38	481-10	Spacer (Brass)	1
13	490DF-10	Wipe Hose Assy. incl. Connector & Hose Band(490DF-54, No.11)	1	39	6200-LLU	Ball Bearing	1
14	JS-10	Retaining Ring	1	40	N1-M40	Nut	4
15	6200ZZ	Ball Bearing	2	41	AT-40	Washer	4
16	490-53T	End Plate	2	42	490-19B	Shoe (Square)	1
17	490-5	Rotor	1	43	E-M40-80	Screw	4
18	490-6	Rotor Blade	4	44	AT-70	Washer	1
19	490-1	Blade Spring	2	45	E-M50-100	Screw	1
20	490B-36B	Cylinder	1	46	490-52	Seal (Round)	1
21	P-7	O-Ring	1	47	AT-50	Washer	4
22	25-10	Roll Pin(2.5ø-10mm)	1	48	A-M50-60	Screw	4
23	25-6	Roll Pin(2.5ø-6mm)	1	49	P-3013D	Leather Pad incl. Plate (490-58B)	1
24	570-1	Felt Ring	1	50	M-3013D	Velcro Pad incl. Plate (490-58B)	1
25	481-9	Seal Cover	1	51	485-42	Dust Pack	1
26	490-13	Motor Gasket	1	52	570-42A	Dust Hose	1