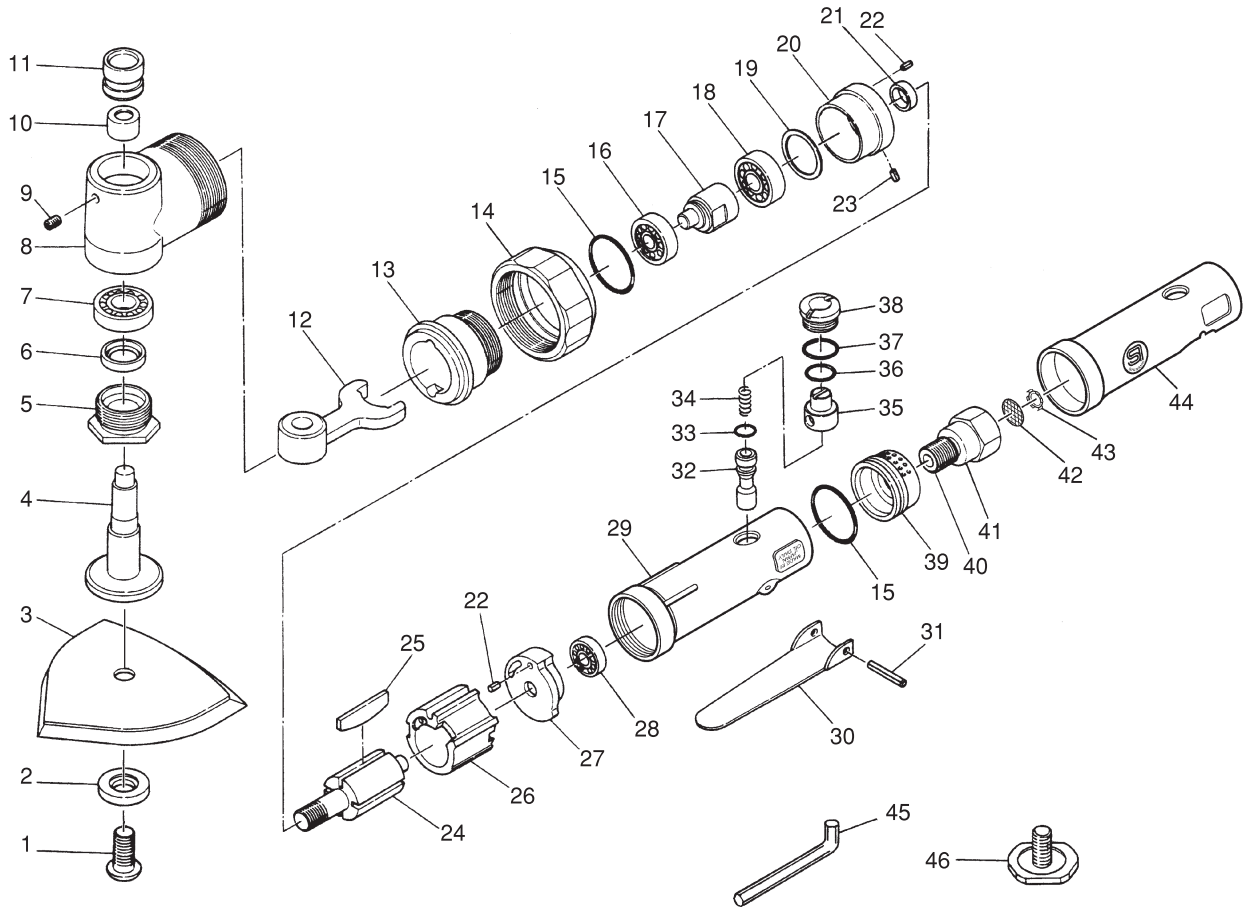


SI-3200A

Oscillation Sander



Ref. No.	Parts No.	Description	Q'ty	Ref. No.	Parts No.	Description	Q'ty
1	AZM80-160	Screw	1	24	330-15	Rotor	1
2	118-40	Washer	1	25	330-16	Rotor Blade	4
3	118-3	Sanding Pad incl. Plate (118-3A)	1	26	330-17	Cylinder	1
4	118-38	Spindle	1	27	610-12	Rear Plate	1
5	508-34	Spindle Nut	1	28	696ZZ	Ball Bearing	1
6	508-7	Oil Seal	1	29	612-1	Motor Housing incl. Bush (330-4)	1
7	EE3	Ball Bearing	1	30	350-2	Throttle Lever	1
8	118-29	Angle Head	1	31	30-24	Roll Pin (3ø-24mm)	1
9	R-832-1/4	Grease Plug	1	32	330-5	Valve Stem	1
10	BK0709	Needle Bearing	1	33	P-4	O-Ring	1
11	508-35	Bearing Case	1	34	350-7	Valve Spring	1
12	118-32	Drive Fork	1	35	330-8A	Air Regulator	1
13	118-27	Motor Clamp Nut	1	36	P-8	O-Ring	1
14	118-28	Coupling Nut	1	37	P-10	O-Ring	1
15	620-28	O-Ring	2	38	330-10	Valve Screw	1
16	607ZZ	Ball Bearing	1	39	118-2	Deflector	1
17	118-26	Crank Shaft	1	40	118-4	Restrictor	1
18	608ZZ	Ball Bearing	1	41	610-2	Inlet Bushing	1
19	330-20	Shim (0.03mm)	1	42	680-28A	Screen	1
20	115-19	Front Plate	1	43	CRTW-12	Retainer	1
21	330-18	Collar	1	44	117-1	Housing Cover	1
22	25-5	Roll Pin (2.5ø-5mm)	2	45	WRA-5	5mm Allen Wrench	1
23	25-3.5	Roll Pin (2.5ø-3.5mm)	1	46	508-33	Retainer Screw for Knife	1