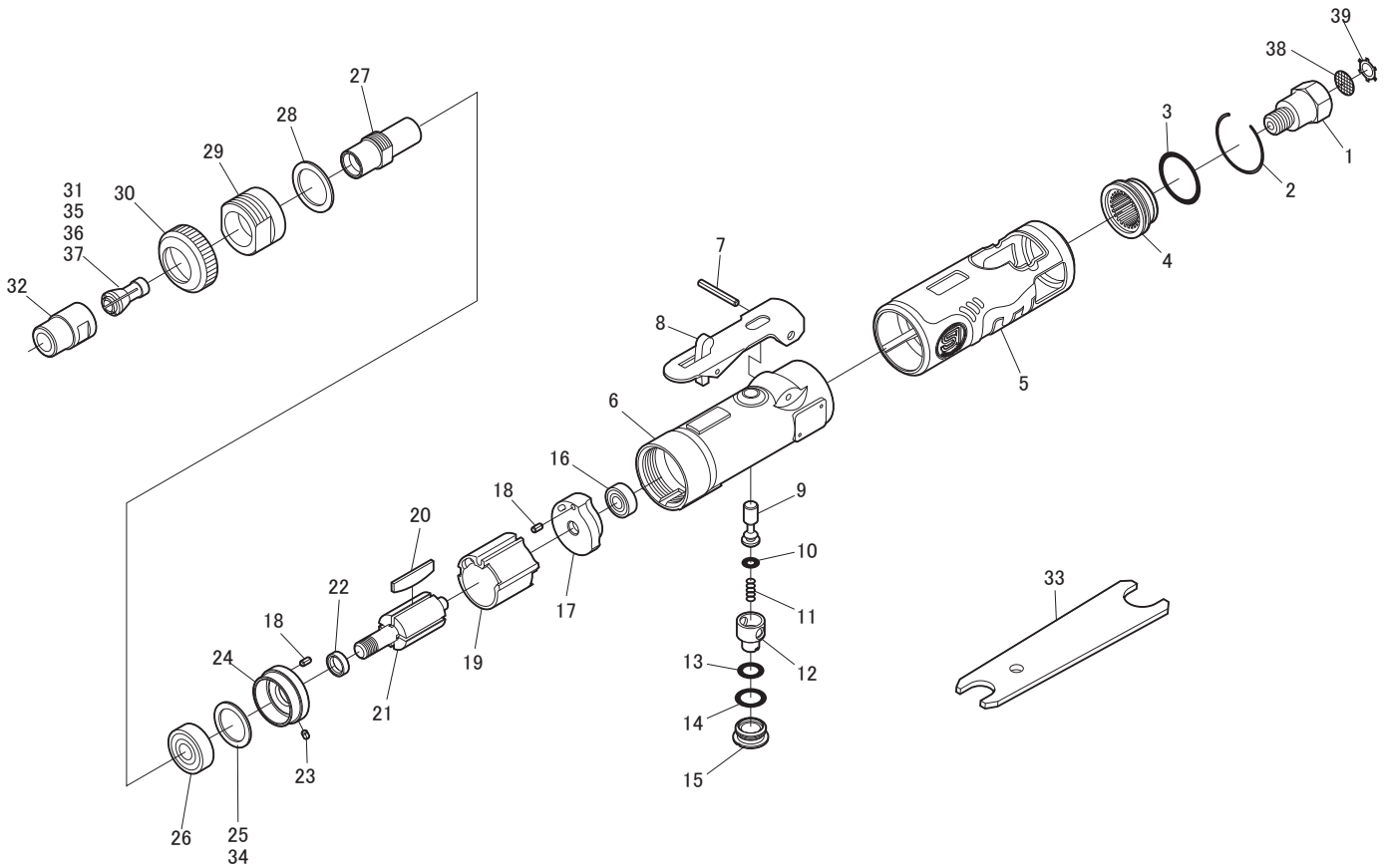


SI-2002EX

Die Grinder



Ref. No.	Parts No.	Description	Q'ty	Ref. No.	Parts No.	Description	Q'ty
1	610-2SC	Inlet Bushing incl. Screen (680-28A) & Retainer (CRTW-12)	1	22	330-18	Collar	1
2	610-30	Retainer Ring	1	23	25-3.5	Roll Pin (2.5 ϕ -3.5mm)	1
3	620-28	O-Ring	1	24	610-19	Front Plate	1
4	610-29	Deflector	1	25	330-20	Shim (0.03mm)	1
5	612-2SI	Housing Cover	1	26	608ZZ	Ball Bearing	1
6	612-1	Motor Housing incl. Bush (330-4)	1	27	330-22	Spindle	1
7	30-24	Roll Pin (3 ϕ -24mm)	1	28	610-25	Washer	1
8	350-2L	Throttle Lever	1	29	610-26	Lock Ring	1
9	330-5	Valve Stem	1	30	330-27	Housing Cap	1
10	P-4	O-Ring	1	31	330-24	1/4" Collet	1
11	350-7	Valve Spring	1	32	330-23	Collet Nut	1
12	330-8A	Air Regulator	1	33	330-28	Spanner Wrench (11x17mm)	2
13	P-8	O-Ring	1	◆ 34	330-29	Shim (0.05mm)	
14	P-10	O-Ring	1	◆ 35	330-25	1/8" Collet	
15	330-10	Valve Screw	1	◆ 36	330-26	3mm Collet	
16	696ZZ	Ball Bearing	1	◆ 37	330-19	6mm Collet	
17	610-12	Rear Plate	1	38	680-28A	Screen	1
18	25-5	Roll Pin (2.5 ϕ -5mm)	2	39	CRTW-12	Retainer	1
19	330-17	Cylinder	1				
20	330-16	Rotor Blade	4				
21	330-15	Rotor	1				