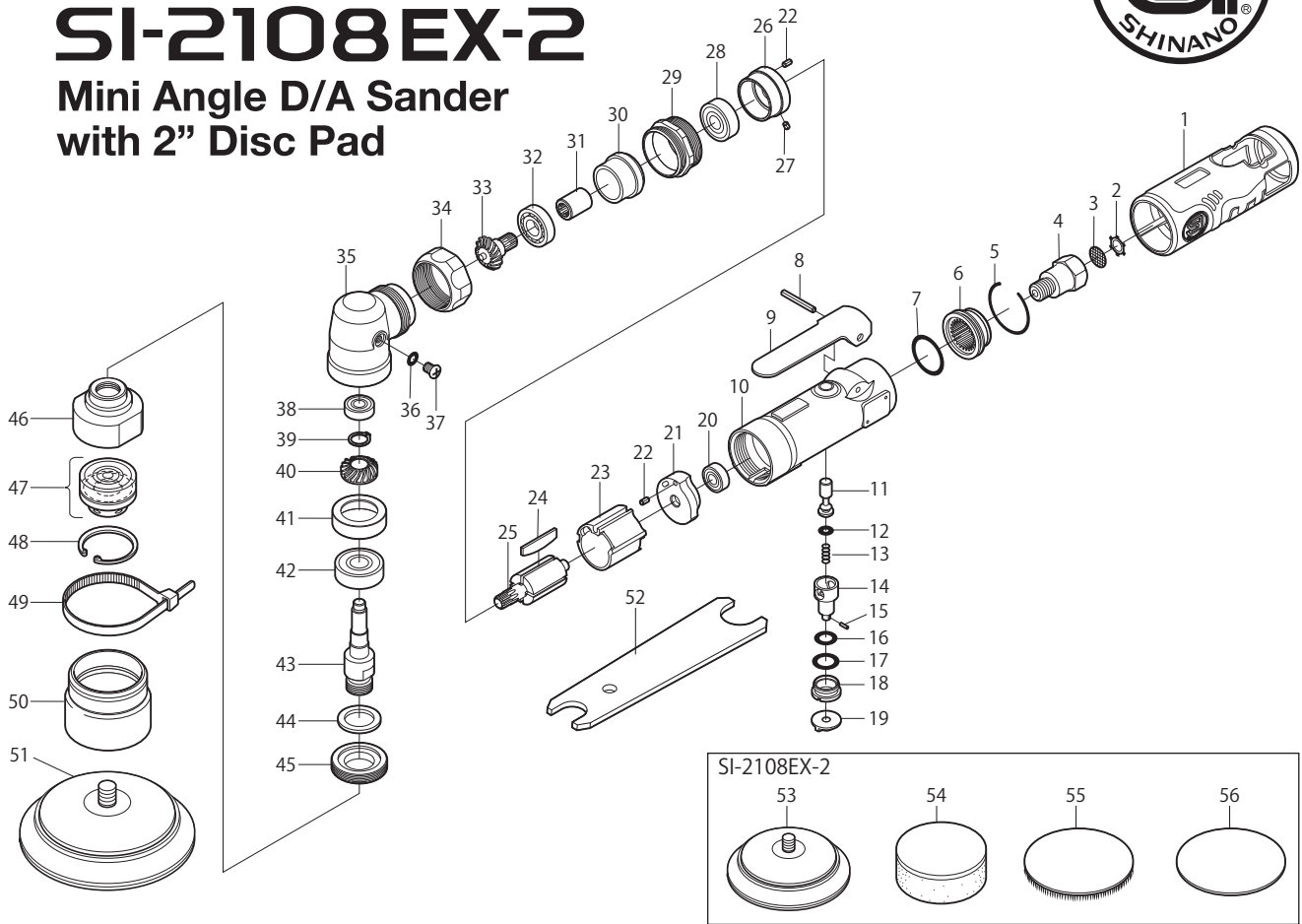


SI-2108EX

Mini Angle D/A Sander

SI-2108EX-2

Mini Angle D/A Sander with 2" Disc Pad



Ref. No.	Parts No.	Description	Q'ty	Ref. No.	Parts No.	Description	Q'ty
1	612-2SI	Housing Cover	1	29	115-26	Motor Clamp Nut	1
2	CRTW-12	Retainer	1	30	114DA-10	Collar	1
3	680-28A	Screen	1	31	114DA-7	Coupling	1
4	610-2	Inlet Bushing incl. Screen & Retainer	1	32	EE3	Ball Bearing	1
5	610-30	Retaining Ring	1	33	114DA-4	Pinion Gear	1
6	610-29	Deflector	1	34	114-4	Angle Head Coupling Nut	1
7	620-28	O-Ring	1	35	114DA-3B	Angle Head	1
8	30-24	Roll Pin(3ø-24mm)	1	36	S-5	O-Ring	1
9	350-2	Throttle Lever	1	37	A-M50--60	Retaining Ring	1
10	612-1	Motor Housing incl. Bush(330-4)	1	38	R4ZZ	Ball Bearing	1
11	330-5	Valve Stem	1	39	JS-9	Retaining Ring	1
12	P-4	O-Ring	1	40	114DA-5	Bevel Gear	1
13	350-7	Valve Spring	1	41	114DA-9	Spacer	1
14	114DA-103	Air Regulator	1	42	6000ZZ	Ball Bearing	1
15	15-6	Roll Pin(1.5ø-6mm)	1	43	114DA-2	Spindle	1
16	P-8	O-Ring	1	44	1041-50	Felt	1
17	P-10	O-Ring	1	45	114DA-8	Spindle Nut	1
18	114DA-101	Valve Screw	1	46	262-19A	Balancer	1
19	114DA-102	Regulator Knob	1	47	262-20M	Random Shaft Assy incl. Ball Bearing, Spacer & Felt Ring	1
20	696ZZ	Ball Bearing	1	48	BO-26	Retaining Ring	1
21	610-12	Rear Plate	1	49	115BD-3	Band	1
22	25-5	Roll Pin(2.5ø-5mm)	2	50	114DA-6A	Balancer Cover	1
23	330-17	Cylinder	1	51	114DA-12	Ø75mm Velcro Pad M6	1
24	330-16	Rotor Blade	4	52	330-28	Spanner Wrench (11x17mm)	1
25	114DA-1	Rotor	1	☆ 53	262-21MS	Ø50mm Velcro Pad	1
26	114DA-11	Front Plate	1	☆ 54	M-20x60/B	Ø60mm Sponge Buff	1
27	25-3.5	Roll Pin(2.5ø-3.5mm)	1	☆ 55	M-60	Ø60mm Wool Buff	1
28	608ZZ	Ball Bearing	1	☆ 56	SHP-50M-80	Ø50mm Sanding Paper #80	3