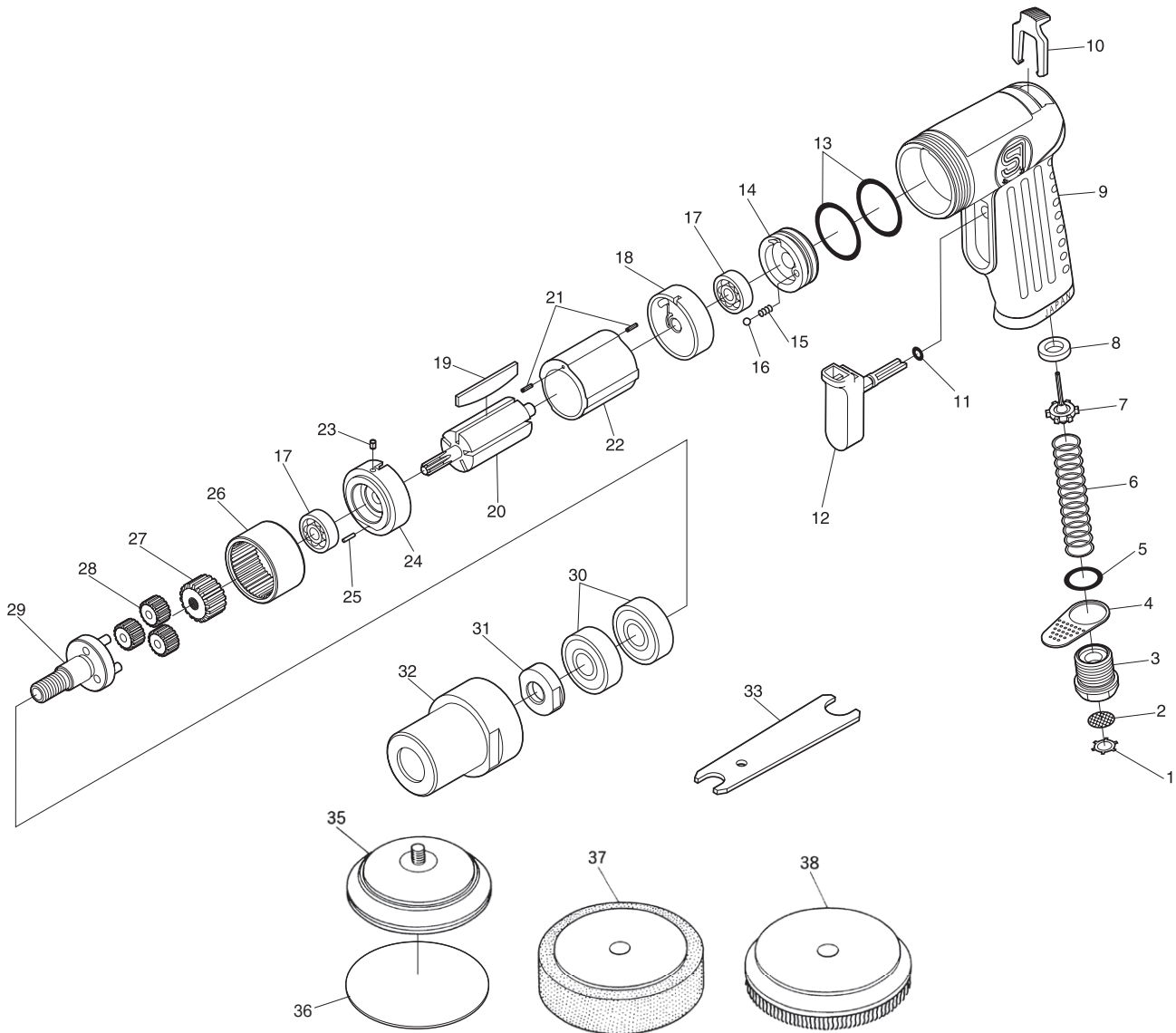


SI-2224S

Mini Polisher



Ref. No.	Parts No.	Description	Q'ty	Ref. No.	Parts No.	Description	Q'ty
1	CRTW-12	Retainer	1	20	119GS-2	Rotor	1
2	680-28A	Screen	1	21	15-6	Roll Pin (1.5ø-6mm)	2
3	139-11	Inlet Bushing	1	22	303-11	Cylinder	1
4	139-12	Deflector	1	23	25-3.5	Roll Pin (2.5ø-3.5mm)	1
5	957-3	O-Ring	1	24	210R-5	Front Plate	1
6	139-15	Valve Spring	1	25	1500-68	Pin	1
7	139-8	Valve	1	26	139D-2	Internal Gear	1
8	139-9	Valve Seat	1	27	119GS-6	Pinion Gear	1
9	139S-5	Motor Housing incl. Bush (139-20)	1	28	119GS-8	Planet Gear	3
10	139-3	Control Lever	1	29	119KS-2	Spindle incl. Pins (3000-13-8x3)	1
11	216-6	O-Ring	1	30	6001ZZ	Ball Bearing	2
12	139S-4	Trigger	1	31	119KS-3	Spindle Nut	1
13	210R-7	O-Ring	2	32	139D-1	Clamp Nut	1
14	139-2	Regulator	1	33	330-28	Spanner Wrench (11x17mm)	1
15	960-50	Spring	1	35	114DA-12	ø75mm Velcro Pad M6	1
16	SB-1/8	Steel Ball	1	36	NVP75-120	ø75mm Sanding Paper #120	1
17	626	Ball Bearing	2	37	119-101	ø80mm Sponge Buff	1
18	139-14	Rear Plate	1	38	119-102	ø80mm Wool Buff	1
19	670-15	Rotor Blade	5				