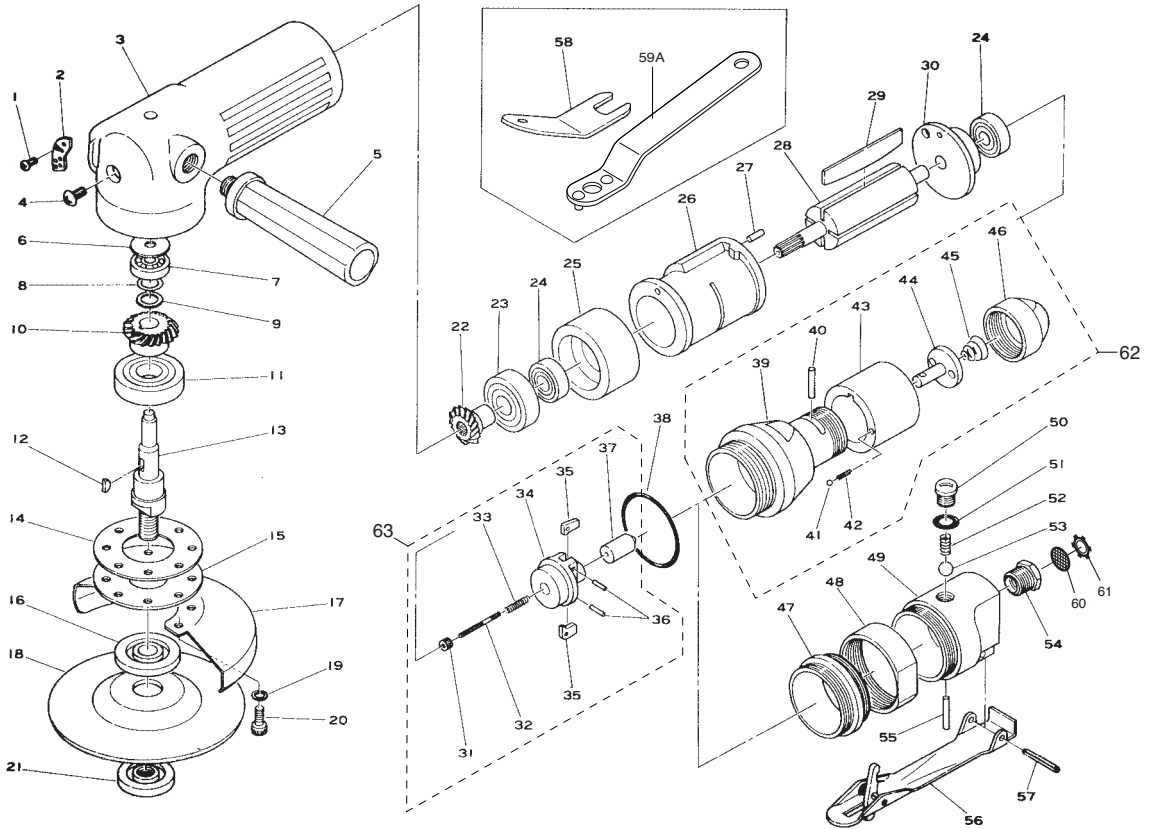


SI-2500 SI-2500L

4" Disc Grinder



Ref. No.	Parts No.	Description	Q'ty	Ref. No.	Parts No.	Description	Q'ty
1	JBM30-80	Screw	2	33	240-34	Governor Spring	1
2	240-25	Deflector	1	34	240-29	Governor	1
3	240-10	Motor Housing	1	35	240-30	Pendulum	6
4	F-M60-80	Screw	1	36	30-12	Roll Pin (3ø-12mm)	2
5	240-50	Dead Handle	1	37	240-31	Plunger	1
6	240-18	Spacer	1	38	450-35	O-Ring	1
7	626	Ball Bearing	1	☆ 39	240-19	Governor Case	1
8	JS-10	Retaining Ring	1	☆ 40	940-19	Valve Pin	1
9	WW-100	Wave Washer	1	☆ 41	SB-30	Steel Ball	1
10	380-47	Bevel Gear	1	☆ 42	380-32	Valve Spring	1
11	6202ZZ	Ball Bearing	1	☆ 43	380-19	Valve Ring	1
12	480-23	Key	1	☆ 44	240-44	Valve	1
13	240-9	Spindle	1	☆ 45	380-33	Conical Spring	1
14	240-5	Gasket	1	☆ 46	240-42	Inlet Bushing	1
15	240-4	Retainer	1	★ 47	240-64	Lock Nut	1
16	240-69	Disc Receiver for 16ø mm Hole	1	★ 48	240-65	Coupling Nut	1
17	240-1	Disc Cover	1	★ 49	240-66	Valve Housing incl. Valve Bush (280-67)	1
18	240-71	4" Disc 16ø mm Hole	1	★ 50	230-68	Valve Screw	1
19	HSW-50	Washer	4	★ 51	P-10	O-Ring	1
20	Z-M50-150	Cap Screw	4	★ 52	450-24	Valve Spring	1
21	240C-1	Disc Nut for 16ø mm Hole	1	★ 53	240-73	Valve	1
22	240-13	Pinion Gear	1	★ 54	670-22	Inlet Bushing	1
23	6201	Ball Bearing	1	★ 55	240-70	Valve Pin	1
24	608ZZ	Ball Bearing	2	★ 56	240-68	Throttle Lever	1
25	510-8	Front Plate	1	★ 57	40-30	Roll Pin (4ø-30mm)	1
26	650-4B	Cylinder	1	58	380-51	Spanner Wrench (10mm)	1
27	30-6	Roll Pin (3ø-6mm)	1	59A	380-50A	Pin Wrench (3ø×20mm)	1
28	240-23	Rotor	1	★ 60	680-28A	Screen	1
29	650-13	Rotor Blade	4	★ 61	CRTW-12	Retainer	1
30	650-14	Rear Plate	1	☆ 62	240-19AS	Governor Case Assy.	
31	240-33	Adjust Nut	1	63	240-29AS	Governor Assy.	
32	240-32	Adjust Screw	1				