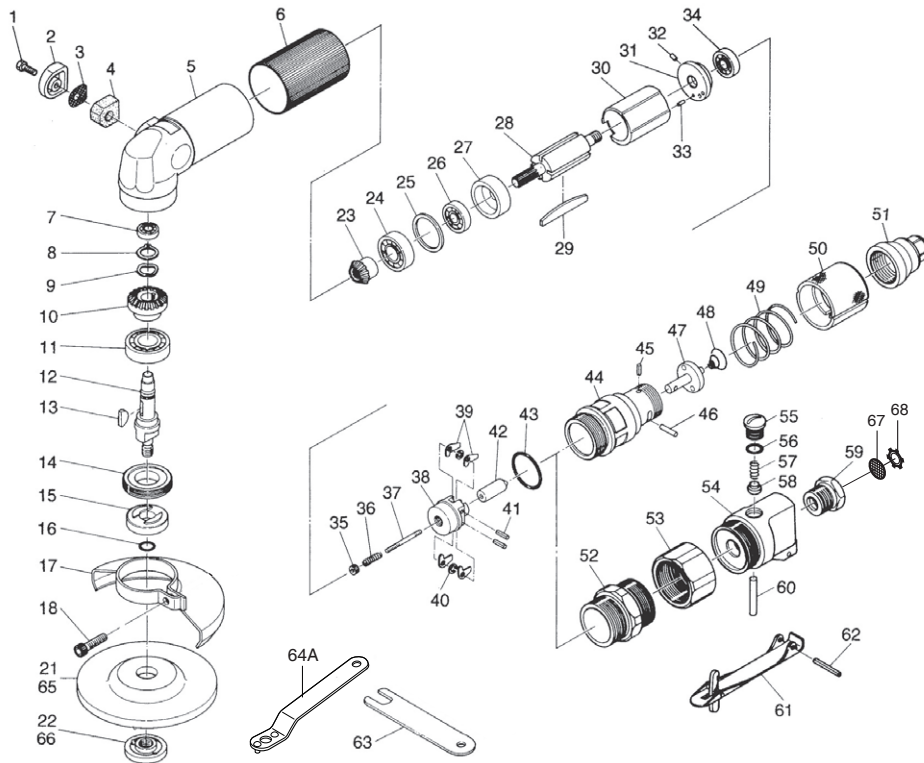


SI-2501

4" Governed Mini Disc Grinder

SI-2501L

4" Governed Mini Disc Grinder Lever Throttle



Ref. No.	Parts No.	Description	Q'ty	Ref. No.	Parts No.	Description	Q'ty
1	Z-M40-120	Cap Screw	1	36	245-21	Governor Spring	1
2	245-37	Deflector	1	37	240-32	Adjust Screw	1
3	245-50	Screen	1	38	240-29	Governor	1
4	245-51	Muffler	1	39	240-30	Pendulum	4
5	245-4	Motor Housing	1	40	HSW-30	Washer	2
6	245-43	Housing Cover	1	41	30-12	Roll Pin (3ø-12mm)	2
7	696ZZ	Ball Bearing	1	42	240-31	Plunger	1
8	JS-10	Retaining Ring	1	43	S-30	O-Ring	1
9	WW-100	Wave Washer	1	☆ 44	245-11	Governor Case	1
10	245-7	Bevel Gear	1	☆ 45	30-8	Roll Pin (3ø-8mm)	1
11	6002ZZ	Ball Bearing	1	☆ 46	940-19	Valve Pin	1
12	245-16	Spindle	1	☆ 47	245-5	Valve	1
13	480-23	Key	1	☆ 48	380-33	Conical Spring	1
14	245-42	Housing Cap	1	☆ 49	245-27	Valve Ring Spring	1
15	245-40	Disc Receiver	1	☆ 50	245-26	Valve Ring	1
16	P-7	O-Ring	1	☆ 51	245-29	Inlet Bushing	1
17	245-1A	Disc Cover incl. Washer (HSW-60) & Nut (N1-M60)	1	★ 52	245L-13	Lock Nut	1
				★ 53	670-25	Lock Ring	1
18	Z-M60-200	Cap Screw	1	★ 54	245L-11	Valve Housing incl. Valve Bush (245L-26)	1
★21	240-71	4" Disc 16ømm Hole	1	★ 55	800-14	Valve Screw	1
★22	240C-1	Disc Nut for 16ømm Hole	1	★ 56	P-9	O-Ring	1
23	245-8	Pinion Gear	1	★ 57	670-49	Valve Spring	1
24	6001	Ball Bearing	1	★ 58	300-10	Valve	1
25	245-48	Shim	1	★ 59	670-22	Inlet Bushing	1
26	608ZZ	Ball Bearing	1	★ 60	240-70	Valve Pin	1
27	245-12	Front Plate	1	★ 61	506-48A	Throttle Lever	1
28	245-34	Rotor	1	★ 62	30-24	Roll Pin (3ø-24mm)	1
29	670-15	Rotor Blade	4	63	380-51	Spanner Wrench (10mm)	1
30	245-9	Cylinder	1	64A	380-50A	Pin Wrench (3ø×20mm)	1
31	245-39	Rear Plate	1	☆ 65	240-6	4" Disc 15ømm Hole	1
32	1500-68	Pin	1	☆ 66	380-44	Disc Nut for 15ømm Hole	1
33	15-8	Roll Pin (1.5ø-8mm)	1	67	680-28A	Screen	1
34	698ZZ	Ball Bearing	1	68	CRTW-12	Retainer	1
35	240-33	Adjust Nut	1				