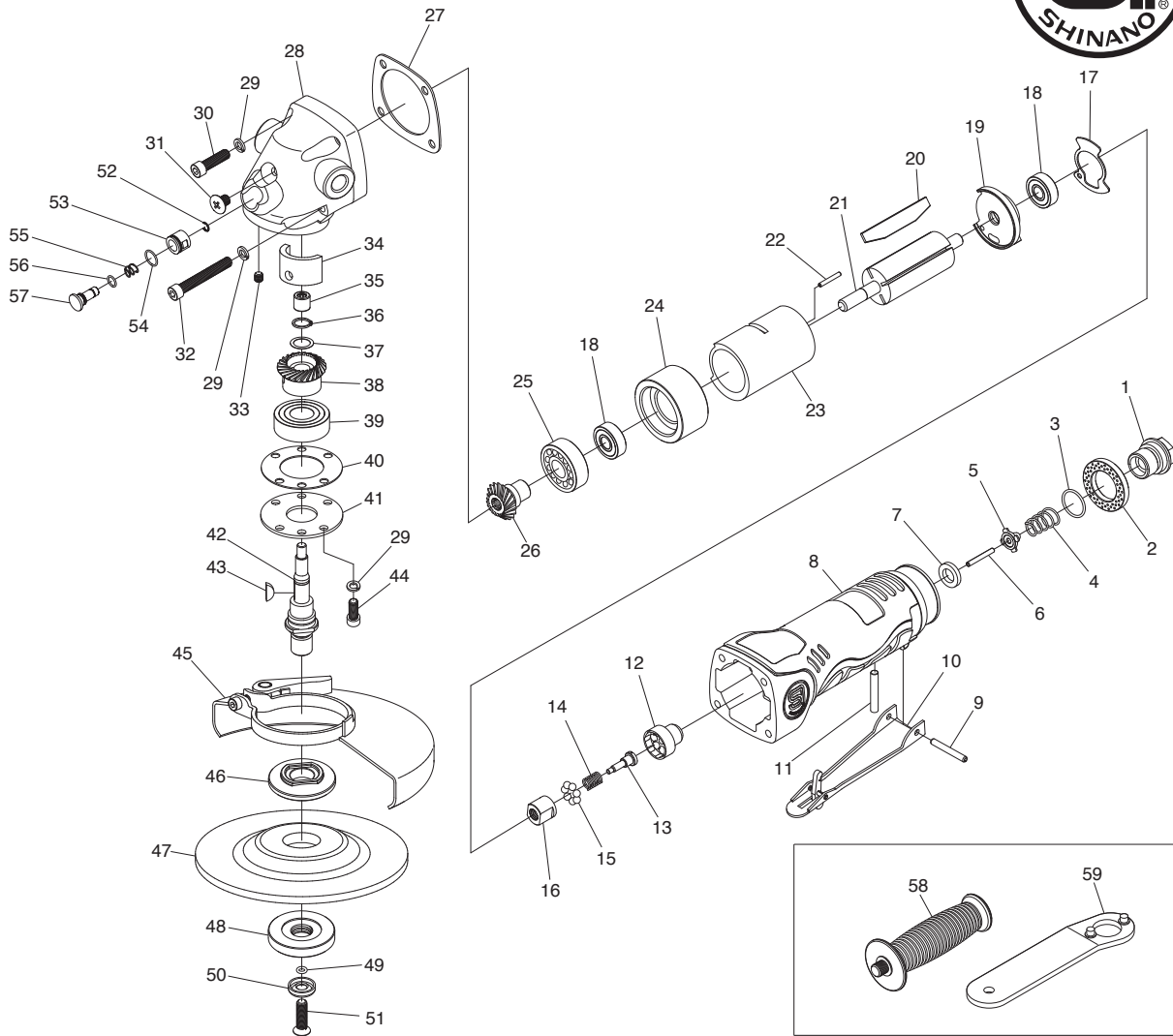


SI-2520L

5" Angle Disc Grinder



Ref. No.	Parts No.	Description	Q'ty	Ref. No.	Parts No.	Description	Q'ty
1	247-21	Inlet Bushing	1	32	Z-M50--400	Cap Screw	2
2	247-23	Silencer	1	33	ROM50---50	Set Screw	1
3	S-18	O-Ring	1	34	247-15	Felt	1
4	247-22	Valve Spring	1	35	HK0609	Needle Bearing	1
5	960-35	Valve	1	36	JS-10	Retaining Ring	1
6	30-25	Roll Pin(3ø-25mm)	1	37	WW-100	Wave Washer	1
7	960-34	Valve Seat	1	38	247-4	Bevel Gear	1
8	247-1SI	Motor Housing	1	39	6202ZZ	Ball Bearing	1
9	40-30	Roll Pin(4ø-30mm)	1	40	247-6	Gasket	1
10	240-68	Throttle Lever	1	41	247-7	Retainer	1
11	247-24	Valve Pin	1	42	247-3	Spindle	1
12	247-19	Governor	1	43	480-23	Key	1
13	247-20	Governor Pin	1	44	Z-M50--150	Cap Screw	5
14	230-4	Valve Spring	1	45	247-100AS	Disc cover	1
15	SB-45	Steel Ball	7	46	241-14-1C	Disc Receiver	1
16	247-18	Governor Joint	1	47	241-49E	5" Disc	1
17	247-28	Gasket	1	48	241-14-2A	Disc Nut	1
18	608ZZ	Ball Bearing	2	49	2011AC-56	O-Ring	1
19	247-17	Rear Plate	1	50	2011AC-55A	Washer	1
20	650-13	Rotor Blade	4	51	Y-M60--250	Cap Screw	1
21	240-23	Rotor	1	52	CE-6	Retaining Ring	1
22	25-18	Roll Pin(2.5ø-18mm)	1	53	247-14	Bush	1
23	240RL-7	Cylinder	1	54	SS-115	O-Ring	1
24	247-16	Front Plate	1	55	240RL-11	Spring	1
25	6201	Ball Bearing	1	56	SS-065	O-Ring	1
26	247-5	Pinion Gear	1	57	247-12	Stopper	1
27	247-26	Motor Gasket	1	58	242SIL-20	Anti vibration Handle	1
28	247-2	Angle Head	1	59	510-2	Pin Wrench(5ø × 30mm)	1
29	HSW-50	Washer	9	◆60	247-25	Exhaust Hose	
30	Z-M50--200	Cap Screw	2	◆61	106-3	Wipe Hose	
31	F-M60--80B	Cap Screw	1	◆62	106-10	Harness Band	