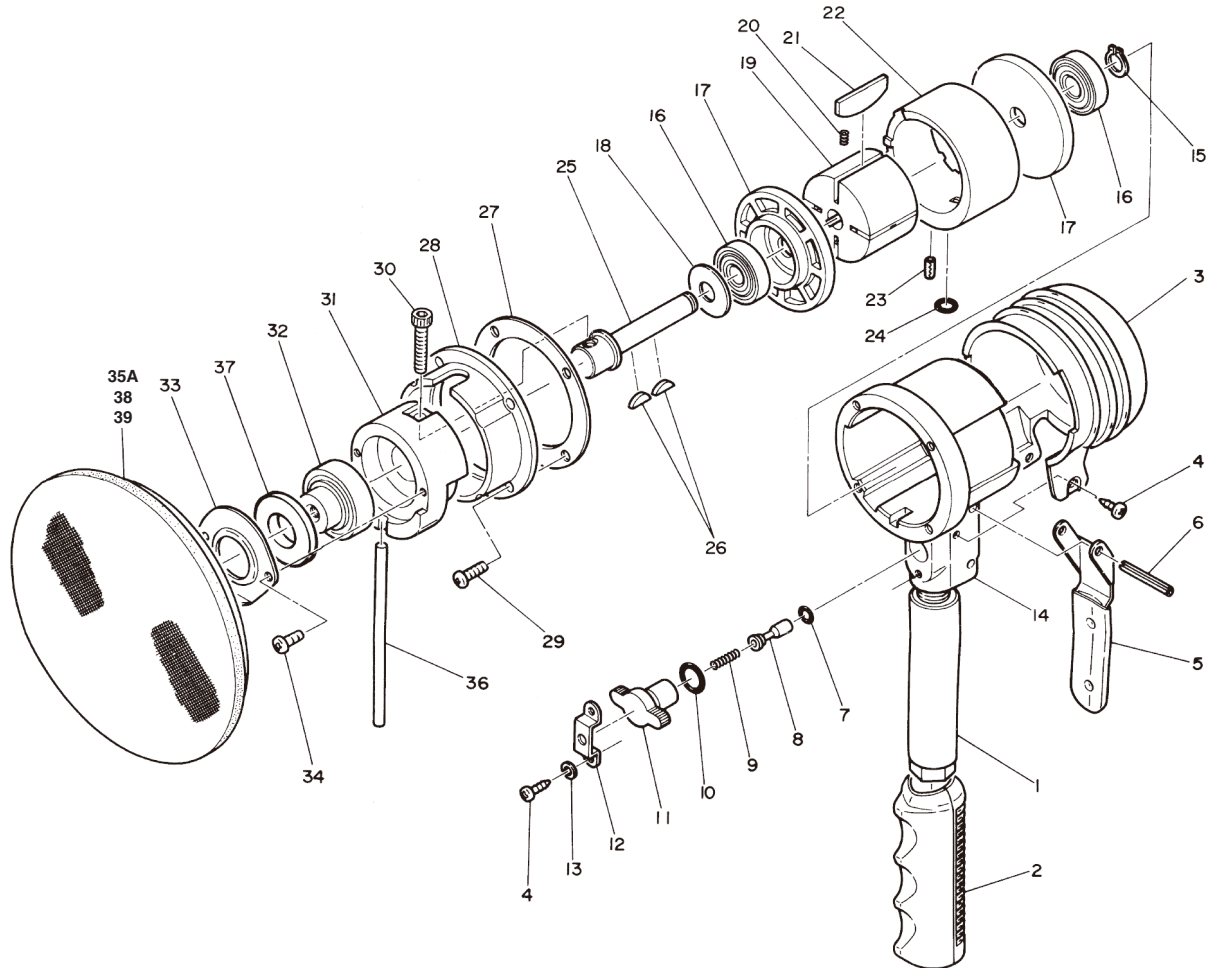


SI-3100(M) 6" Double Action Sander

SI-3100P 6" Double Action Polisher



Ref. No.	Parts No.	Description	Q'ty	Ref. No.	Parts No.	Description	Q'ty
1	480-15	Handle Grip	1	22	640-1	Cylinder	1
2	480-11A	Grip Cover	1	23	30-6	Roll Pin (3-6mm)	1
3	475-26R	Housing Cover	1	24	P-7	O-Ring	1
4	JBM35---50	Screw	4	25	481-22	Crank Shaft	1
5	480-13A	Throttle Lever	1	26	480-23	Key	2
6	40-30	Roll Pin (4-30mm)	1	27	470-49	Gasket	1
7	P-4	O-Ring	1	28	481-47	Balancer Cover	1
8	330-5	Valve Stem	1	29	A-M50--120	Screw	4
9	350-7	Valve Spring	1	30	Z-M60--250	Cap Screw	1
10	P-8	O-Ring	1	31	481-13A	Balancer for 6" Pad	1
11	480-4	Air Regulator	1	32	481-12A	Random Shaft Assy. incl. Ball Bearing (6202ZZ)	1
12	480-16	Regulator Retainer	1	33	481-11A	Bearing Retainer	1
13	HSW-35	Washer	2	34	A-M50--80	Screw	2
14	475-3	Motor Housing incl. Valve Bush (330-4)	1	★35A	P-150H	6" Leather Pad	1
15	JS-10	Retaining Ring	1	36	480-54	Bar Wrench (5-100mm)	1
16	6200ZZ	Ball Bearing	2	37	481-12B	Felt Ring	1
17	640-12TB	End Plate	2	★38	M-150H	6" Velcro Pad	1
18	481-10	Spacer (Brass)	1	☆39	PW-3100	6" Velcro Pad	1
19	481-6TS	Rotor	1	※☆40	M-150	Wool Buff	1
20	490-1	Blade Spring	2	※☆41	400E-102	φ165mm Sponge Buff	1
21	470-9	Rotor Blade	4				