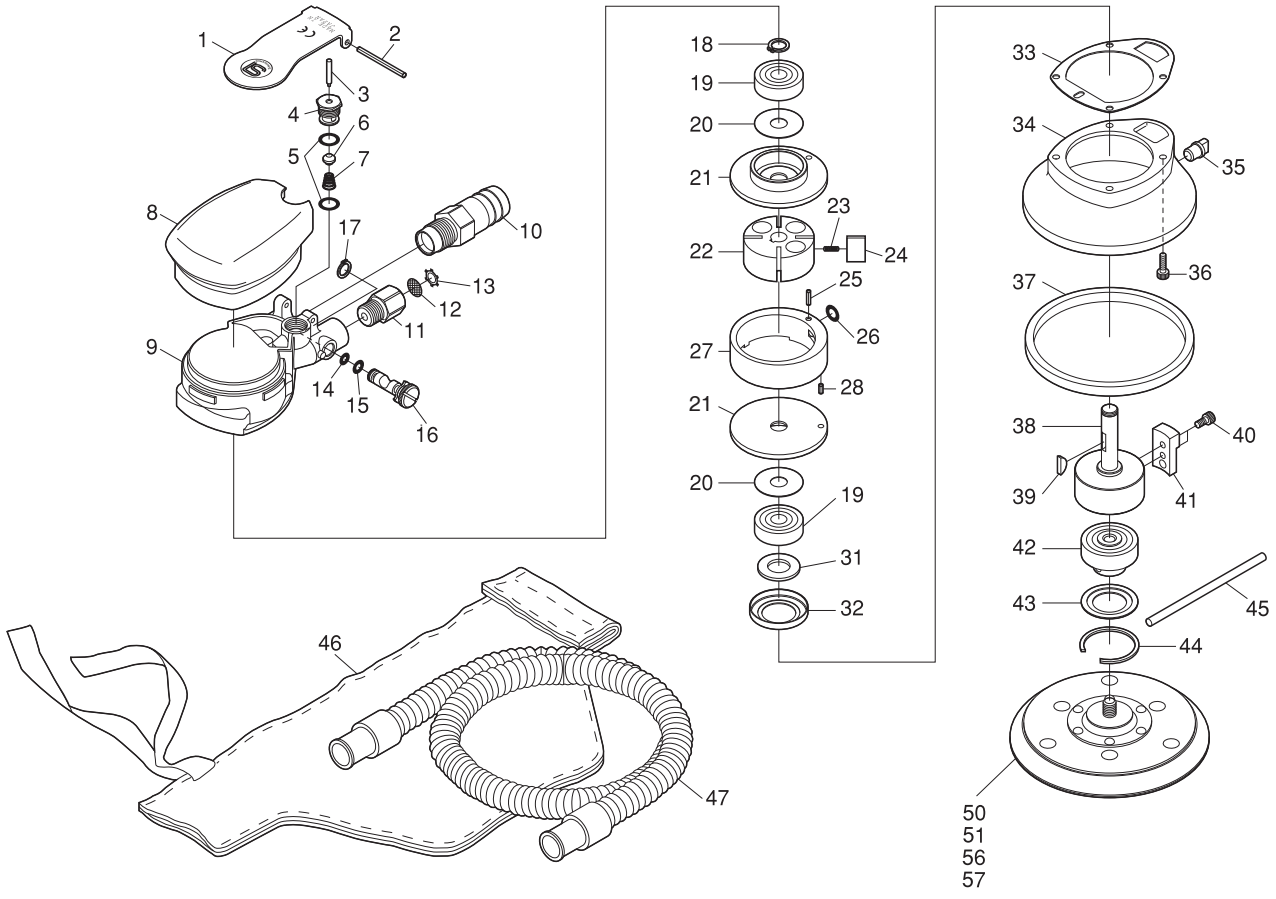


# SI-3113A(M) 5" Dual Action Sander

# SI-3113-6A(M) 6" Dual Action Sander



Ref. No.	Parts No.	Description	Q'ty	Ref. No.	Parts No.	Description	Q'ty
1	1040-11	Throttle Lever	1	28	25-6	Roll Pin(2.5ø-6mm)	1
2	30-40	Roll Pin(3ø-40mm)	1	31	570-1	Felt Ring	1
3	455-11	Valve Pin	1	32	481-9	Seal Cover	1
4	490-4	Valve Body	1	33	490-13	Motor Gasket	1
5	S-10	O-Ring	2	34	491-13	Pad Cover	1
6	455-21	Valve	1	35	491-33	Plug	1
7	490-20	Valve Spring	1	36	Z-632--127	Cap Screw	4
8	490C-2	Housing Cover	1	37	491DF-1	Felt Ring	1
9	490C-1	Motor Housing	1	38	491-9	Balancer Shaft	1
10	1040-45D	Defuser	1	39	480-23	Key	1
11	180-1	Inlet Bushing	1	40	Z-M40---80	Cap Screw	2
12	680-28A	Screen	1	41	491-38	Adjust Weight	1
13	CRTW-12	Retainer	1	42	491-32	Random Shaft Assy incl. Ball Bearing & Washer(ø202LLUC2,480-12A)	1
14	P-4	O-Ring	1	43	480-17A	Seal Plate	1
15	P-5	O-Ring	1	44	BR-35	Retaining Ring	1
16	485-4A	Air Regulator	1	45	480-54	Bar Wrench (5ømm×100mm)	1
17	JS-8	Retaining Ring	1	46	485-42	Dust Pack	1
18	IS-10	Retaining Ring	1	47	1040-54	Dust Hose	1
19	6200ZZ	Ball Bearing	2	★ 50	M-150HD 6	6" Velcro Pad	1
20	485-45	Seal	2	★ 51	P-150HD 6	6" Leather Pad	1
21	490-53T	Upper Bearing Case	2	☆ 56	M-125HD	5" Velcro Pad	1
22	490-5	Rotor	1	☆ 57	P-125HD	5" Leather Pad	1
23	490-1	Blade Spring	2				
24	490-6	Rotor Blade	4				
25	25-10	Roll Pin(2.5ø-10mm)	1				
26	P-7	O-Ring	1				
27	490B-36B	Cylinder	1				