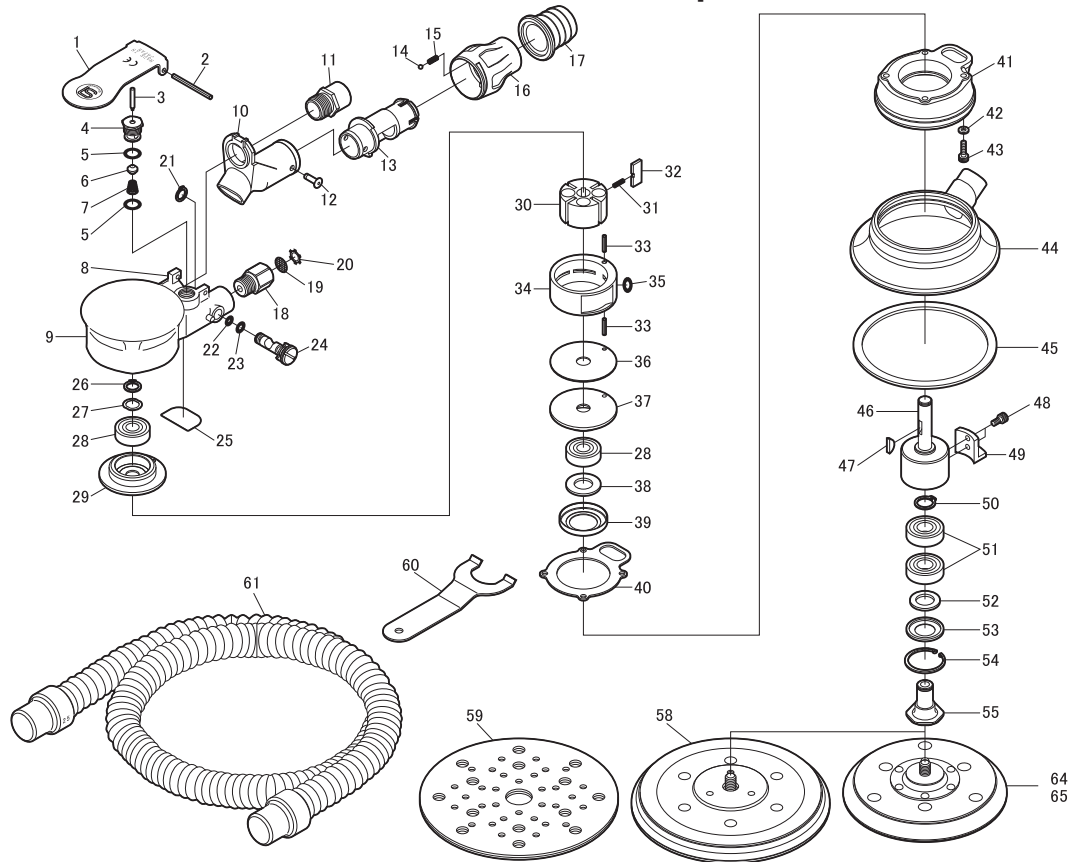


SI-3121(M)

Central Vacuum Dual Action Sander With 5"pad

SI-3121-6

Central Vacuum Dual Action Sander With 6"pad



Ref. No.	Parts No.	Description	Q'ty	Ref. No.	Parts No.	Description	Q'ty
1	1040-11B	Throttle Lever	1	33	25-14	Roll Pin(2.5ø-14mm)	2
2	30-40	Roll Pin(3ø-40mm)	1	34	1040-2	Cylinder	1
3	455-11	Valve Pin	1	35	1040-2	O-Ring	1
4	490-4	Valve Body	1	36	1040-6C	End Plate	1
5	S-10	O-Ring	2	37	1040-5	End Plate	1
6	455-21	Valve	1	38	570-1	Felt Ring	1
7	490-20	Valve Spring	1	39	481-9	Seal Cover	1
8	1040-1	Motor Housing	1	40	1040-9	Motor Gasket	1
9	1040-10A	Housing Cover	1	41	1041-10B	Balancer Cover	1
10	1041-58A	Connector	1	42	1040-19	Washer	4
11	1040-18AS	Muffler Assy	1	43	Z-632--127	Cap Screw	4
12	1041CV-4	Blind Rivet	2	44	1041-57R	Pad Cover	1
13	1041CV-1	Connector Joint	1	45	1041-18U5	Felt Ring	1
14	SB-30	Steel Ball	1	46	1041-11	Balancer Shaft	1
15	450-45	Spring	1	47	480-23	Key	1
16	1041CV-2	Vacuum Regulator	1	48	Z-M40---80	Cap Screw	2
17	1041CV-3	Swivel Connector	1	49	1041-13	Adjust Weight	1
18	180-1	Inlet Bushing	1	50	JS-12	Retaining Ring	1
19	680-28A	Screen	1	51	6001LLB	Ball Bearing	2
20	CRTW-12	Retainer	1	52	1041-50	Felt	1
21	JS-8	Retaining Ring	1	53	1041-51	Seal Plate	1
22	P-4	O-Ring	1	54	BO-28	Retaining Ring	1
23	P-5	O-Ring	1	55	1041-12	Random Shaft	1
24	485-4	Air Regulator	1	★ 58	M-150HDMH	6" Multihole Pad (Velcro)	1
25	1040-50	Cover Plate	1	★ 59	1041CV-5	Velcro Face Cover for Net Paper	1
26	JS-10	Retaining Ring	1	60	1041-56	Spanner Wrench	1
27	WW-100	Wave Washer	1	61	570-42A	Dust Hose	1
28	6000ZZ	Ball Bearing	2	※★ 62	NP-150-120	Net Paper #120	1
29	1040-5C	Bearing Case	1	※★ 63	NP-150-240	Net Paper #240	1
30	1040-4	Rotor	1	☆ 64	P-125HD	5" Leather Pad	1
31	490-1	Blade Spring	2	☆ 65	M-125HD	5" Velcro Pad	1
32	1040-17	Rotor Blade	4				