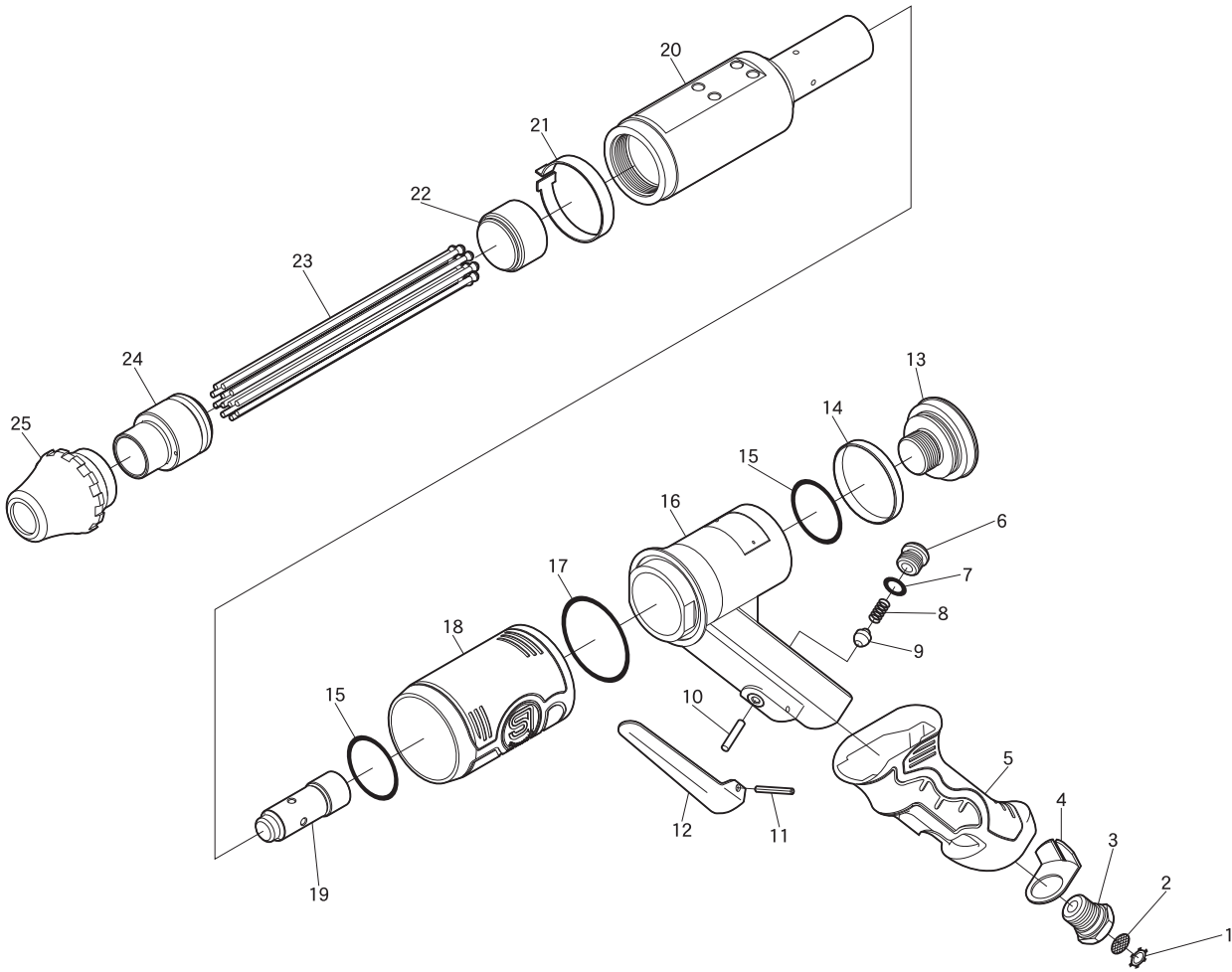


# SI-4160 Needle Scaler



Ref. No.	Parts No.	Description	Q'ty	Ref. No.	Parts No.	Description	Q'ty
1	CRTW-12	Retainer	1	20	820-5	Cylinder incl. Screw (ROM40---30x2)	1
2	680-28A	Screen	1	21	820-3	Safety Lock	1
3	509-2	Inlet Bushing	1	22	820-8	Anvil	1
4	821-6	Cover Retainer	1	23	820-11	Needle ø3mm×180mm	12
5	821-3	Grip Cover	1	24	820-9	Needle Holder for ø3mm Needle	1
6	800-14	Valve Nut	1	25	820-6	Top Cover	1
7	P-9	O-Ring	1	◆26	820-24	Needle ø2mm×180mm	29
8	670-49	Valve Spring	1	◆27	820-23	Needle Holder for ø2mm Needle	1
9	300-10	Valve	1				
10	670-23	Valve Pin	1				
11	30-24	Roll Pin (3ø-24mm)	1				
12	350-2B	Throttle Lever	1				
13	821-4	End Cap	1				
14	821-5	End Cap Ring	1				
15	JASO-1033	O-Ring	2				
16	821-1	Motor Housing	1				
17	S-46	O-Ring	1				
18	821-2SI	Front Grip	1				
19	820-7	Piston	1				