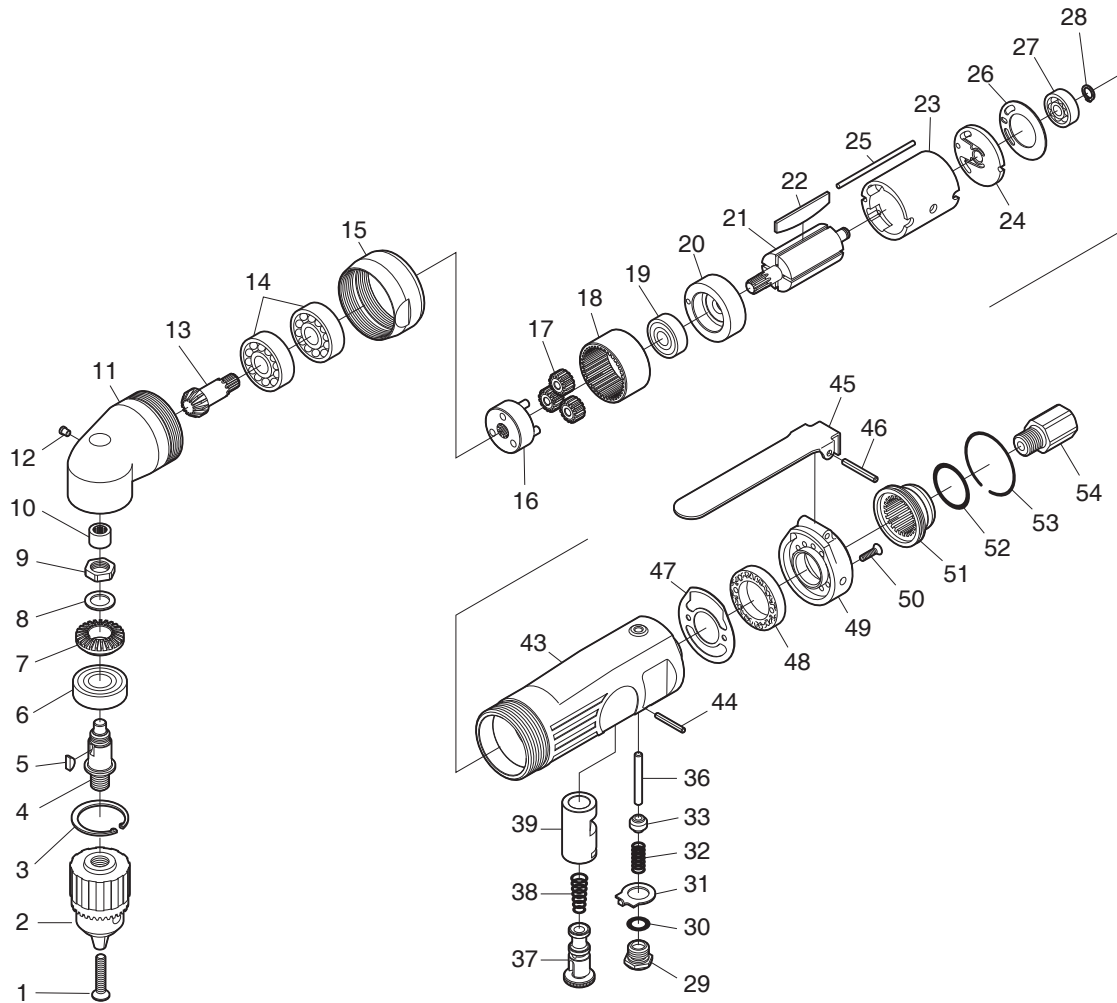


# SI-5355

## 3/8" Angle Drill



Ref. No.	Parts No.	Description	Q'ty	Ref. No.	Parts No.	Description	Q'ty
1	988-49	Chuck Screw	1	27	626	Ball Bearing	1
2	KD-004	3/8" Drill Chuck w/Handle KK	1	28	JS-6	Retaining Ring	1
3	JO-28	Retaining Ring	1	29	985-39	Valve Screw	1
4	988-6	Spindle	1	30	P-8	O-Ring	1
5	988-8	Key	1	31	985-15	Reverse Retainer	1
6	6001ZZ	Ball Bearing	1	32	450-24	Valve Spring	1
7	988-2	Bevel Gear	1	33	930B-12B	Valve	1
8	988-9	Washer	1	36	985-3	Valve Pin	1
9	988-7	Nut	1	37	985-5	Reverse Valve	1
10	KE-45	Needle Bearing	1	38	985-14	Reverse Spring	1
11	988-3	Angle Head	1	39	985-6	Reverse Valve Bush	1
12	1071C-16	Grease Plug	1	43	988-12	Motor Housing incl. Bush (985-17)	1
13	988-1	Pinion Gear	1	44	25-20	Roll Pin (2.5 $\phi$ -20mm)	1
14	6200	Ball Bearing	2	45	985-2	Throttle Lever	1
15	988-11	Lock Ring	1	46	30-24	Roll Pin (3 $\phi$ -24mm)	1
16	301-2	Planet Cage incl. Planet Pins (300-21x3)	1	47	985-13	Gasket	1
17	300-13	Planet Gear	3	48	985-41	Muffler	1
18	988-10	Internal Gear	1	49	985-12	Housing Cap	1
19	608ZZ	Ball Bearing	1	50	E-M30-120	Screw	2
20	988-4	Front Blade	1	51	620-18	Deflector	1
21	988-5	Rotor	1	52	620-28	O-Ring	1
22	350-16	Rotor Blade	4	53	620-30	Retaining Ring	1
23	217-15	Cylinder	1	54	985-10SC	Inlet Bushing incl. Screen (680-28A) & Retainer (CRTW-12)	1
24	217-14	End Plate	1	* 55	KK	Chuck Handle for KD-003A & KD-004	1
25	200-34	Cylinder Pin	1	*◆ 56	LX10	3/8" Cap. Keyless Chuck (3/8" Thd.)	
26	217-32	Motor Gasket	1				