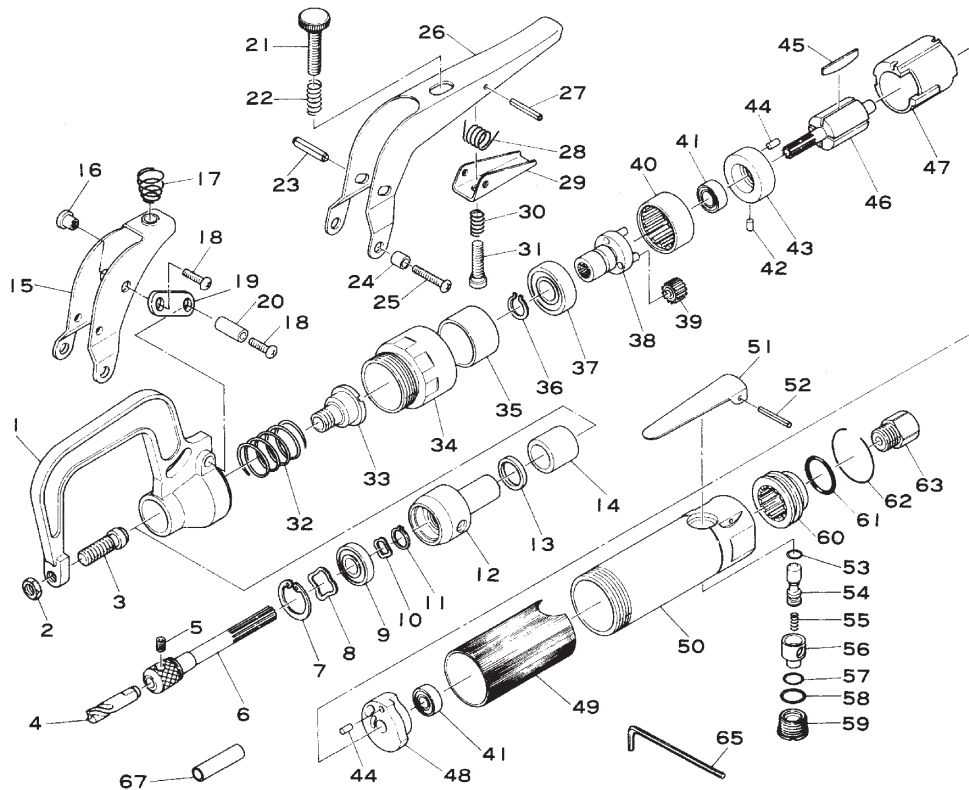


SI-5800

Spot Mill



Ref. No.	Parts No.	Description	Q'ty	Ref. No.	Parts No.	Description	Q'ty
1	271-1A	Arm	1	34	271-8	Lock Ring	1
2	N1-M60	Nut	1	35	271-12	Collar	1
3	271-22	Adjust Screw	1	36	JS-15	Retaining Ring	1
4	271-17	8ømm Milling Cutter	1	37	6002LLU	Ball Bearing	1
5	ROM50---50	Set Screw	1	38	271-9	Reduction Spindle incl. Planet Pin(300-21 x 3)	1
6	271-13	Spindle	1	39	217-12	Planet Gear incl. Bush(217-33)	3
7	JO-26	Retaining Ring	1	40	217-10A	Internal Gear	1
8	BWW-629	Wave Washer	1	41	626	Ball Bearing	2
9	6000LLU	Ball Bearing	1	42	25-4	Roll Pin(2.5ø-4mm)	1
10	WW-100	Wave Washer	1	43	502C-14	Front Plate	1
11	JS-10	Retaining Ring	1	44	25-5	Roll Pin(2.5ø-5mm)	2
12	271-5	Thrust Sleeve	1	45	350-16	Rotor Blade	4
13	485A-11	Felt Ring	1	46	271-7	Rotor	1
14	271-6	Collar	1	47	680-1	Cylinder	1
15	271-21	Sub Lever	1	48	620-9	Rear Plate	1
16	271-15	Flange Collar	2	49	271-18	Housing Cover	1
17	271-69	Spring	1	50	271-23	Motor Housing incl. Valve Bush, Regulator-Ring, Ret. Ring(350-4, 271-27, CSTW-18)	1
18	271-49	Screw	4				
19	271-4	Link	2	51	350-2	Throttle Lever	1
20	271-14	Collar	1	52	30-24	Roll Pin(3ø-24mm)	1
21	271-50	Adjust Dial	1	53	P-5	O-Ring	1
22	271-64	Adjust Spring	1	54	350-5	Valve Stem	1
23	50-25	Roll Pin(5ø-25mm)	1	55	350-7	Valve Spring	1
24	271-16	Collar	2	56	350-8A	Air Regulator	1
25	271-48	Screw	2	57	P-8	O-Ring	1
26	271-2	Main Lever	1	58	P-11	O-Ring	1
27	40-25	Roll Pin(4ø-25mm)	1	59	350-10	Valve Screw	1
28	271-20	Spring	1	60	620-18	Deflector	1
29	271-3	Push Lever	1	61	620-28	O-Ring	1
30	271-65	Adjust Spring	1	62	620-30	Retaining Ring	1
31	271-51	Adjust Screw	1	63	180-1SC	Inlet Bushing incl. Screen(680-28A) & Retainer(CRTW-12)	1
32	271-19	Spring	1	65	WRA-2.5	2.5mm Allen Wrench	1
33	271-68	Stopper	1	67	271-71	Sleeve for 6.5ømm Milling Cutter	1