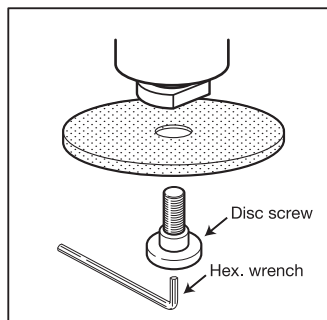


INSTRUCTION MANUAL FOR HEAVY DUTY DISC & DIE GRINDERS

Operation Procedures

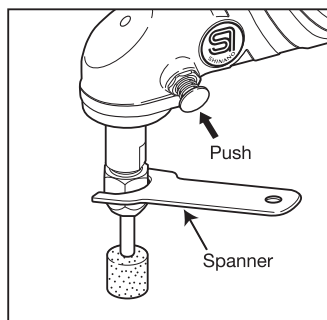
For Disc Grinder

1. Connect the coupler to the air inlet ① on the rear side of tool.
2. Make sure the disc cover ② is firmly mounted in place.
3. Pour approx. 0.5cc (2 to 3 drops) of the oil through the coupler. Connect it to the air hose, and run for 3 to 5 seconds to circulate the oil.
4. When the grinding stone is installed, press the spindle lock button ③ at the angle head, and the spindle will stop. Turn it counterclockwise with Hex. wrench, and firmly tighten the spindle.
5. Switch consists of two types of ④ "Rotary twist switch"(SI-AG2-U2R) and ⑤ "Safety lever"(SI-AG2-U2P).

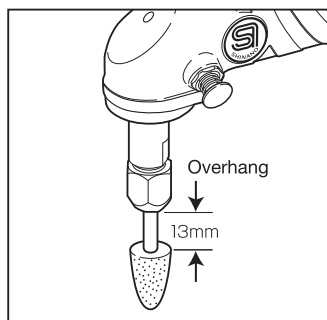


For Die Grinder

1. Connect the coupler to the air inlet ①.
2. Make sure the diameter of the collet chuck ⑥ fits to the diameter of the grinding stone with shaft. (Standard : 1/4 inch or 6mm)
3. Firmly insert the axis of abrasive accessories such as a grinding stone with shaft into the collet chuck ⑥ from 15mm to 20mm depth.
4. When the grinding stone is installed, press the spindle lock button ③ at the angle head, and the spindle will stop. Turn it counterclockwise with Spanner, and firmly tighten the spindle.



5. When the grinding stone with shaft is inserted, be sure to maintain 13mm to the distance between such abrasive accessories and collet chuck, so-called the overhang.

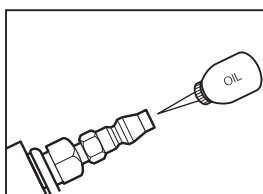
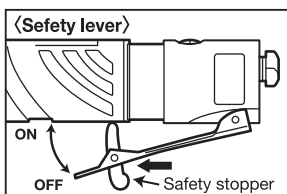
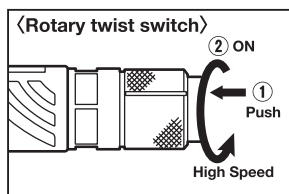
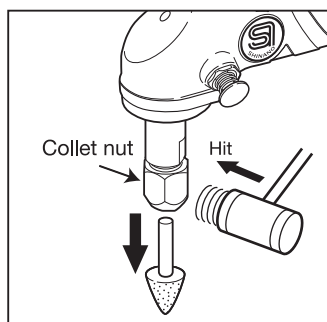


※The maximum operating speed is calculated when the overhang is 13mm.

6. Pour approx. 0.5cc (2 to 3 drops) of the oil through the coupler. Connect it to the air hose, and run for 3 to 5 seconds to circulate the oil.

7. Switch consists of two types of ④ "Rotary twist switch"(SI-AG2-C2R) and ⑤ "Safety lever"(SI-AG2-C2P).

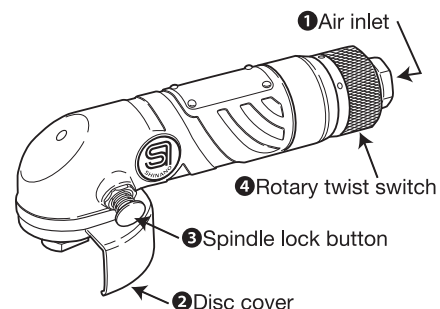
8. If the grinding stone can not be removed, slightly hit the collet nut ⑦ unit with a wooden hammer, spanner etc., so as not to give any damage. Then, the grinding stone will be easily removed.



Disc Grinders

SI-AG2-U2R

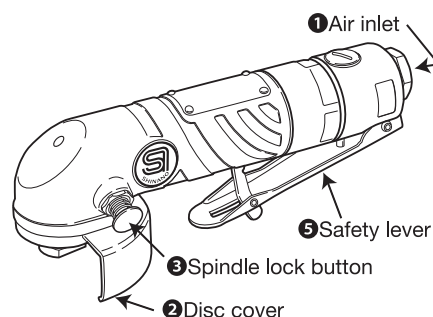
Max.rpm:15,000rpm



Accessories : Hex. wrench (2),
Safety instructions (1)

SI-AG2-U2P

Max.rpm:15,000rpm

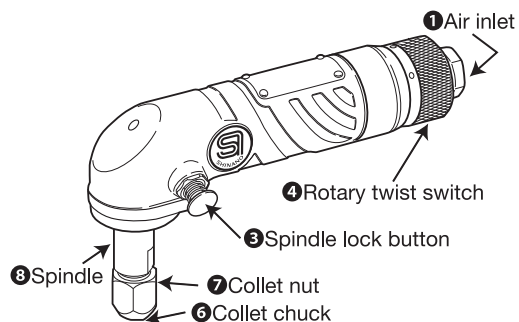


Accessories : Hex. wrench (2),
Safety instructions (1)

Die Grinders

SI-AG2-C2R

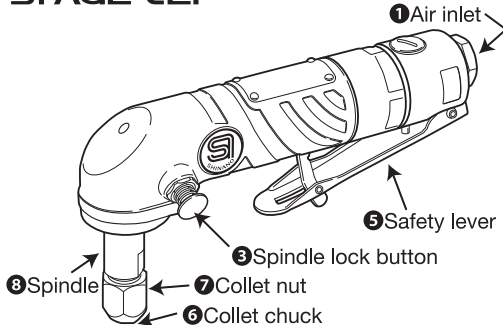
Max.rpm:15,000rpm



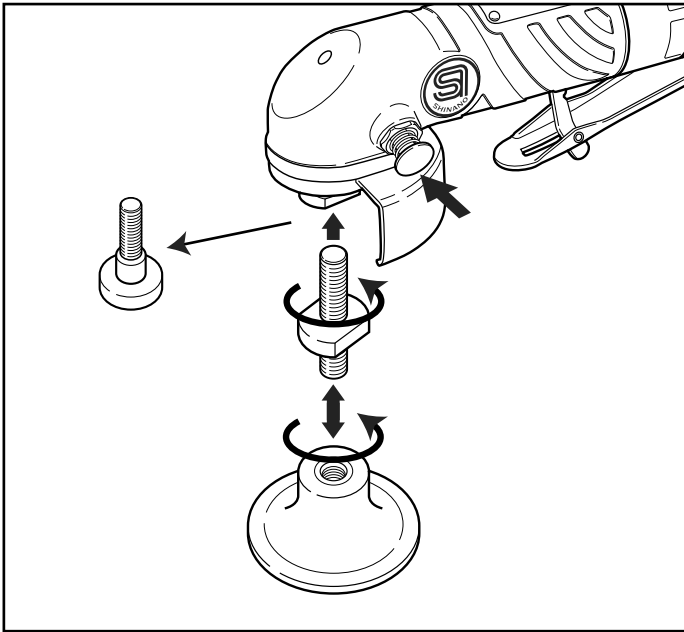
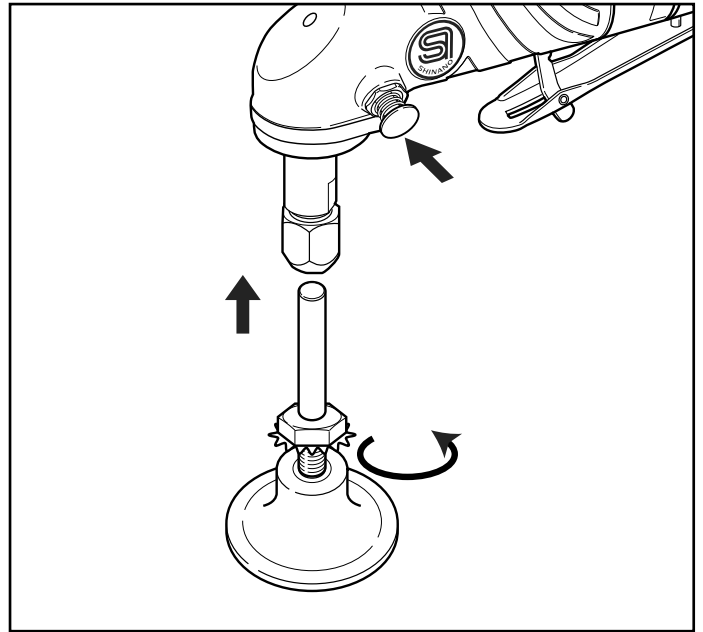
Accessories : Spanner (1),
Safety instructions (1)

SI-AG2-C2P

Max.rpm:15,000rpm



Accessories : Spanner (1),
Safety instructions (1)

For Disc Grinders**SI-AG2-U2R
SI-AG2-U2P****For Die Grinders****SI-AG2-C2R
SI-AG2-C2P****⚠ WARNING —DISC GRINDER—**

- Never use the edge of grinding stone.
- Never use without the disc cover.
- Never install the grinding stone where failure such as breakage, abnormal abrasion, crack, and chip has been found.
- Confirm operations within the maximum circumferential speed and rpm, as indicated on the grinding stone.
- Before use, make sure the grinding stone is firmly installed to the tool in place and no misalignment.

⚠ WARNING —DIE GRINDER—

- Never use the tool beyond the maximum circumferential speed and rpm indicated on the tip tools such as grinding stones.
- The grinding stones rotates at the full speed. Therefore, if the holding power is insufficient, the abrasive accessories will burst out, which is dangerous. Firmly and securely mount it onto the collet chuck.
- Usually inspect the tool if any damage or failure such as abnormal abrasion is found or failure such as abnormal abrasion is found on the collet chuck. If any failure is found, immediately stop operations of tool, and replace it with the normal product.
- Before use, usually inspect no split, chip, and crack is found abrasive accessories such as grinding stones.

⚠ CAUTION

oil from the hose attached port.

- The compressed air containing dust or/and moisture will result in damage of tool. Be sure to operate the tool with air through the drainage and air filter.
- If revolution failure or/and irregular noise occurred, do not continue operation furthermore. Forced operation of tool may result in serious troubles.
- Regarding to this product, if inconvenient claims or troubles occurred, contact the product distributor.

 **SHINANO INC.**
<http://www.shinanoinc.co.jp>

MADE IN JAPAN