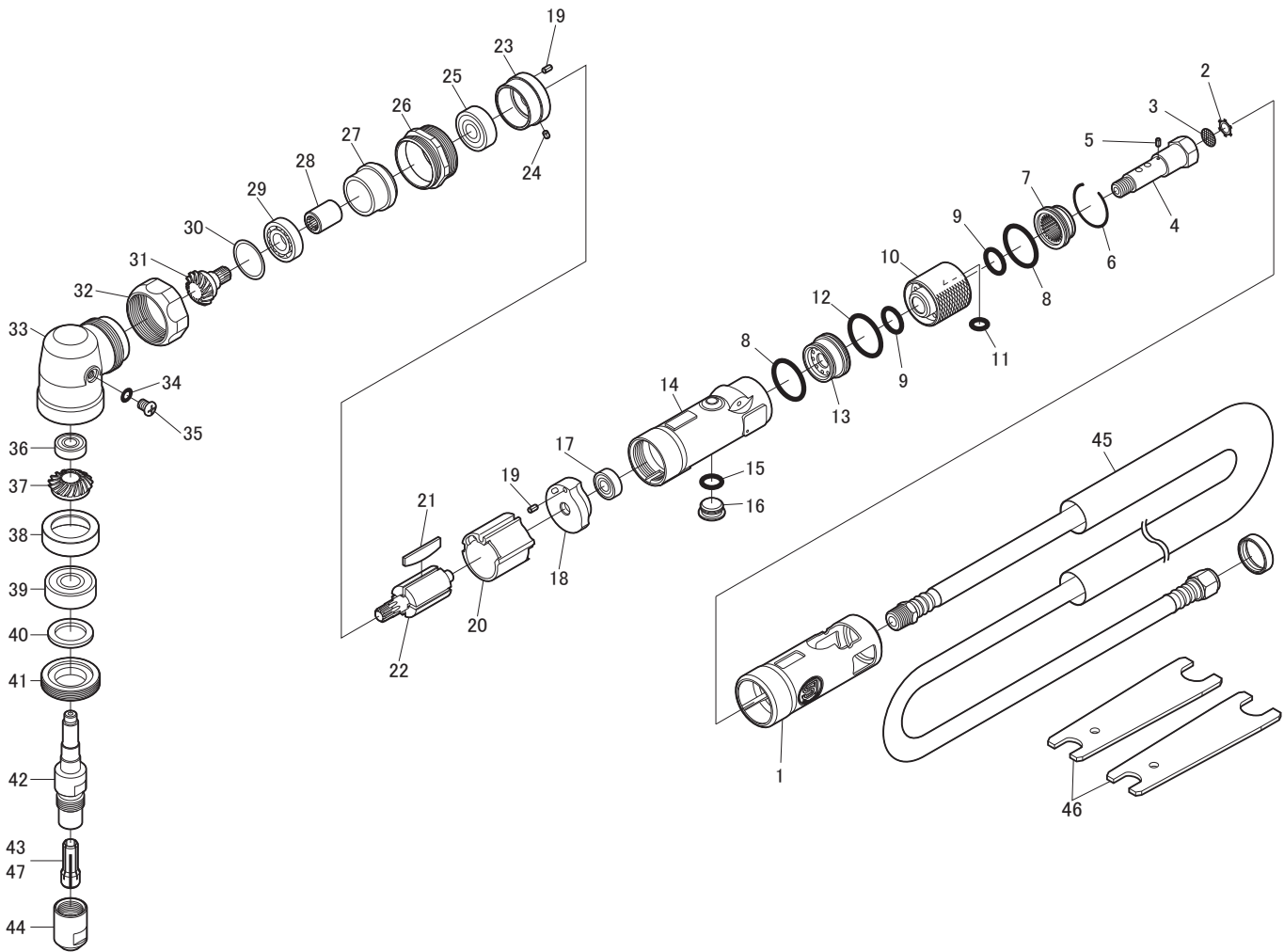


SI-AG20E-6R Angle Die Grinder



Ref. No	Parts No.	Description	Q'ty	Ref. No	Parts No.	Description	Q'ty
1	114SE-6	Housing Cover	1	25	608ZZ	Ball Bearing	1
2	CRTW-12	Retainer	1	26	115MSN-2	Motor Clamp Nut	1
3	680-28A	Screen	1	27	114DA-10	Collar	1
4	612SE-9	Inlet Bushing	1	28	114DA-7	Coupling	1
5	15-4	Roll Pin(1.5ø-4mm)	1	29	EE3	Ball Bearing	1
6	610-30	Retaining Ring	1	30A	330-20	Shim (0.03mm)	★
7	610-29	Deflector	1	30B	330-29	Shim (0.05mm)	
8	620-28	O-Ring	2	31	114H-3	Pinion Gear	1
9	S-12	O-Ring	2	32	114-4B	Angle Head Coupling Nut	1
10	612SE-8AS	Valve Ring incl. Valve Bush(612SE-8A)	1	33	114SE-5B	Angle Head	1
11	612SE-10	O-Ring	1	34	S-5	O-Ring	1
12	210R-7	O-Ring	1	35	A-M50---60	Screw	1
13	612SE-7	Collar	1	36	R4ZZ	Ball Bearing	1
14	612SE-11	Motor Housing incl. Bush(330-4A)	1	37	114H-4	Bevel Gear	1
15	P-10	O-Ring	1	38	114DA-9	Spacer	1
16	330-10A	Valve Nut	1	39	6000ZZ	Ball Bearing	1
17	696ZZ	Ball Bearing	1	40	243-4	Felt Ring	1
18	610S-2	Rear Plate	1	41	114SE-4	Spindle Nut	1
19	25-5	Roll Pin(2.5ø-5mm)	2	42	114SE-1	Spindle	1
20	330-30B	Cylinder	1	43	114SE-3	6mm Collet	1
21	330-16	Rotor Blade	4	44	114SE-2	Collet Nut	1
22	114DA-1	Rotor	1	45	106-9MAS	Wipe Hose M Assy	1
23	114DA-11	Front Plate	1	46	350-28	Spanner Wrench (14 x 19mm)	2
24	25-3.5	Roll Pin(2.5ø-3.5mm)	1	◆47	114SE-3A	1/4 Collet	