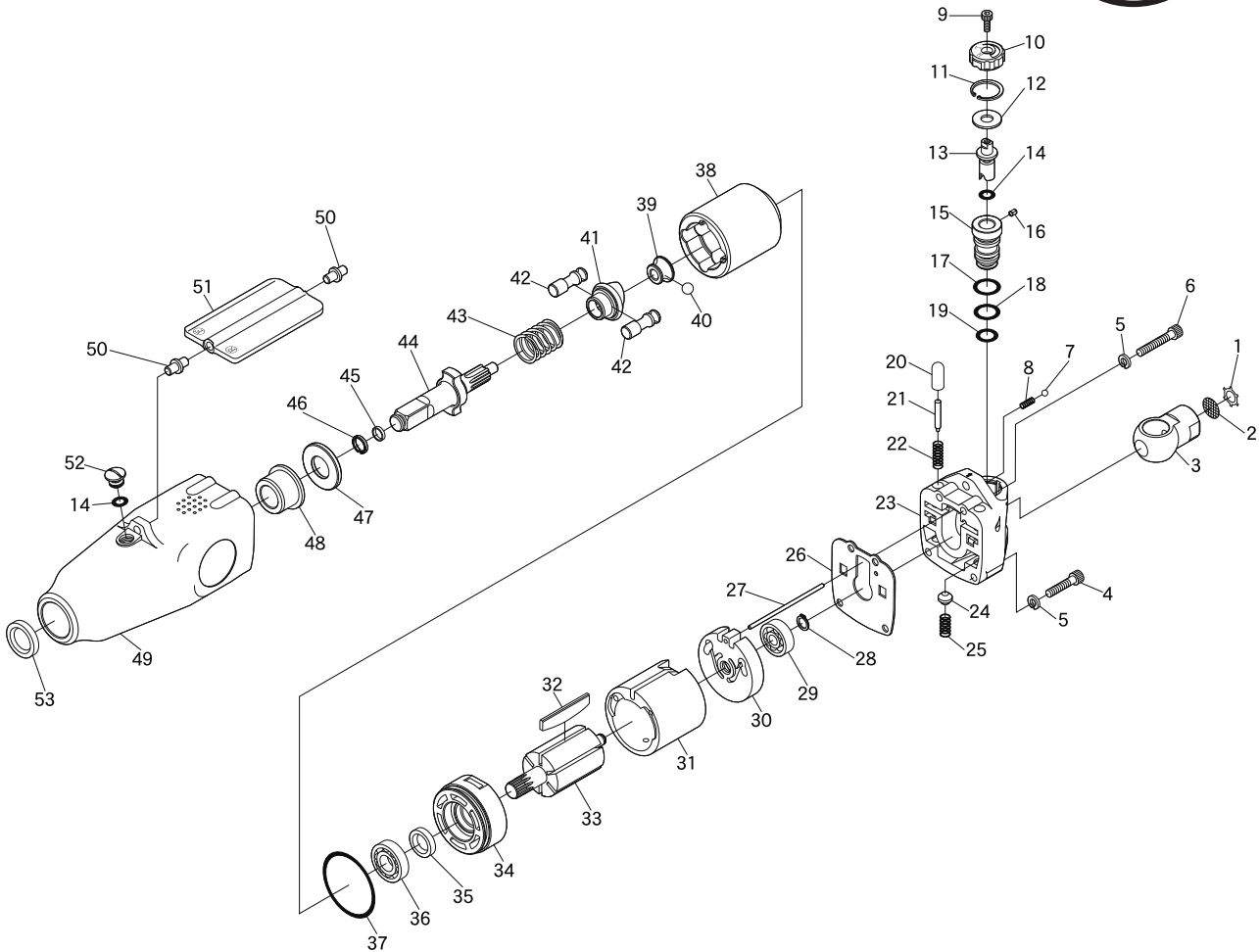


SI-1306B

3/8"SQ.DR. BUTTERFLY IMPACT WRENCH



Ref. No.	Parts No.	Description	Q'ty	Ref. No.	Parts No.	Description	Q'ty
1	CRTW-12	Retainer	1	28	JS-6	Retaining Ring	1
2	680-28A	Screen	1	29	626	Ball Bearing	1
3	456HB-5	Inlet Bushing incl. Screen & Retainer	1	30	456GH-7	Rear Plate	1
4	Z-832-190	Cap Screw	2	31	456GH-2	Cylinder	1
5	HSW-40	Washer	4	32	456GH-4	Rotor Blade	6
6	Z-832-250	Cap Screw	2	33	456GH-3	Rotor	1
7	SB-1/8	Steel Ball	1	34	456GH-5	Front plate	1
8	450-45	Spring	1	35	450-18	Oil Seal	1
9	Z-M30-80	Cap Screw	1	36	EE3	Ball Bearing	1
10	456HB-3	Regulator Dial	1	37	S-35	O-Ring	1
11	JO-16	Retaining Ring	1	38	456H-3	Hammer Cage	1
12	456HB-7	Washer	1	39	456H-6	Pilot	1
13	456HB-2	Air Regulator	1	40	SB-60	Steel Ball	1
14	P-5	O-Ring	2	41	456H-5	Cam	1
15	456HB-6	Swivel Shaft	1	42	456H-4	Hammer Pin	2
16	25-3.5	Roll Pin(2.5ø-3.5mm)	1	43	456H-7	Cam Spring	1
17	990-26-1	O-Ring	1	44	456H-2	3/8" Sq. Anvil	1
18	P-10	O-Ring	1	45	450-11	O-Ring	1
19	P-8	O-Ring	1	46	450-10	Socket Retainer Ring	1
20	456-10	Plunger	2	47	456H-8	Spacer	1
21	455-11	Valve Pin	2	48	450-20	Anvil Bushing	1
22	455-19	Plunger Spring	2	49	456GH-1	Motor Housing	1
23	456HB-4	Housing Cap	1	50	450-19	Throttle Lever Pin	2
24	455-21	Valve	2	51	455-9	Throttle Lever	1
25	455-20	Valve Spring	2	52	450-29	Plug	1
26	455-18	Motor Gasket	1	53	450-17	Oil Seal	1
27	456GH-8	Motor Pin	1				