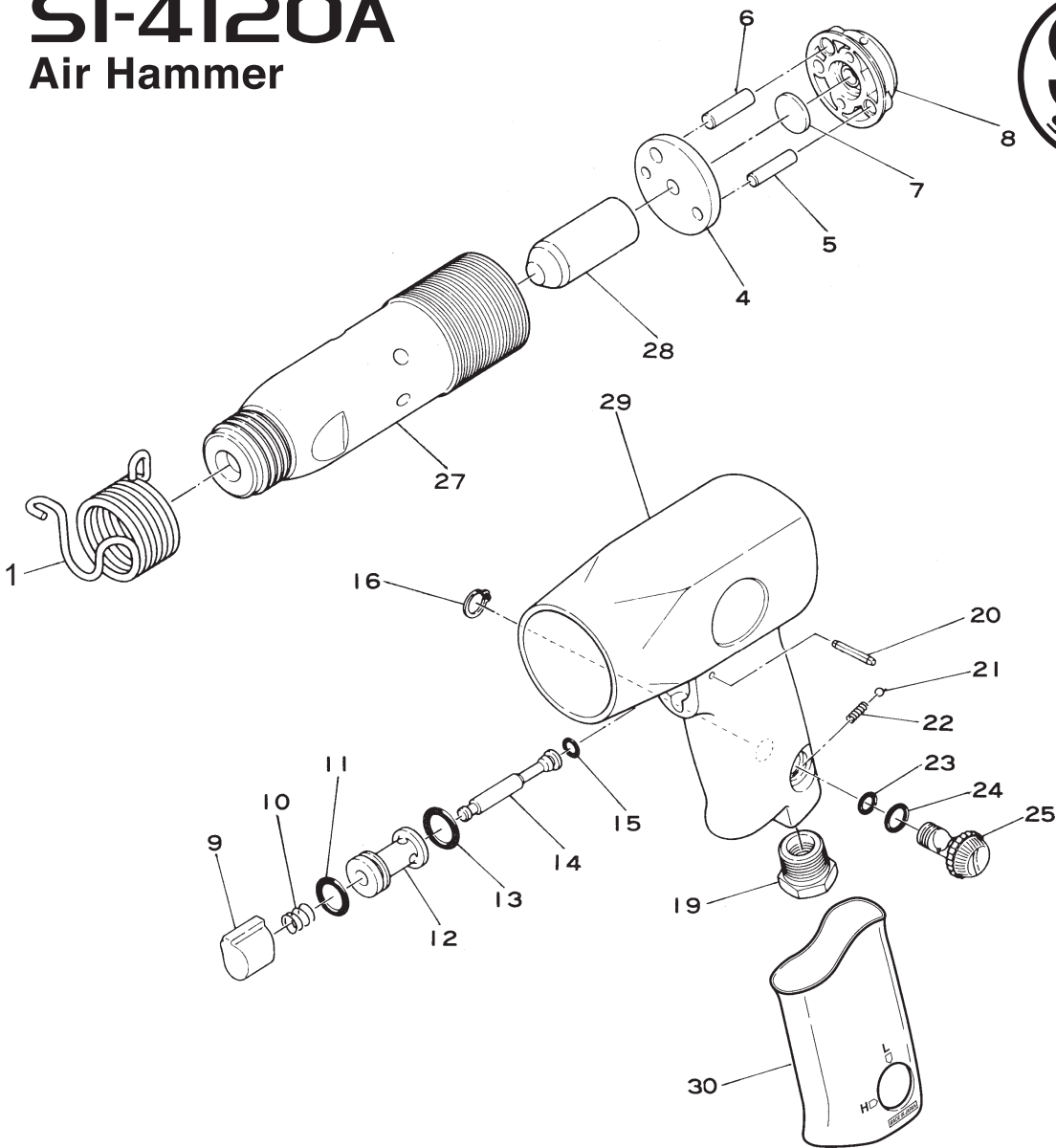


# SI-4120A Air Hammer



Ref. No.	Parts No.	Description	Q'ty	Ref. No.	Parts No.	Description	Q'ty
1	400-8	Retaining Spring	1	<b>★ AIR HAMMER ACCESSORIES</b>			
4	400-4	Front Valve Case	1	31	801	Tie Rod Tool	1
5	400-7	Dowel Pin (Small)	1	32	802	Tail Pipe Cutter	1
6	400-6	Dowel Pin (Big)	1	33	803	Fork 21/32" Opening	1
7	400-5	Valve Disc	1	34	803J	Fork 15/16" Opening	1
8	400-3	Rear Valve Case	1	35	804	Bushing Remover	1
9	170-20	Trigger	1	36	805	Scraper	1
10	170-21	Valve Spring	1	37	806	Bushing Splitter	1
11	P-11	O-Ring	1	38	807	Sheet Metal A	1
12	170-19	Valve Bushing	1	39	808	Muffler Cutter	1
13	P-12	O-Ring	1	40	809	Double Edge Panel Cutter	1
14	170-18	Valve Stem	1	41	810	Flat 7" Long	1
15	P-4	O-Ring	1	42	811	Flat 9" Long	1
16	JS-9	Retaining Ring	1	43	812	Taper Punch	1
19	670-22SC	Inlet Bushing incl. Screen (680-28A) & Retainer (CRTW-12)	1	44	813	Rivet Cutter	1
20	25-20	Roll Pin (2.5ø-20mm)	1	45	814	Blank Chisel	1
21	SB-1/8	Steel Ball	1	46	815	Spot Weld Breaker	1
22	450-45	Spring	1	47	816	Sheet Metal B	1
23	400-14A	O-Ring	1	48	817	Bushing Driver	1
24	P-9	O-Ring	1	49	818	Flat Bend	1
25	400-12	Air Regulator	1	50	819	Sheet Metal Punch	1
27	402-1	Cylinder	1	51	820	Panel Clipper	1
28	402-2	Piston	1	52	821	Smoothing Hammer	1
29	402-11A	Housing	1	53	822	Straight Punch	1
30	402-2A	Housing Cover	1	54	823	Paint Scraper	1
				55	824	Shock Absorber Chisel	1
				56	825	Moil Point	1
				57	402-100	Quick Change Retainer	1