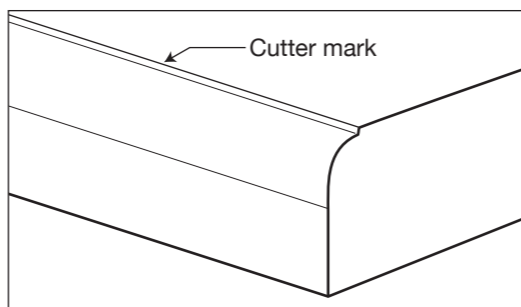


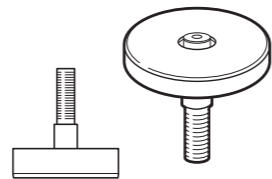
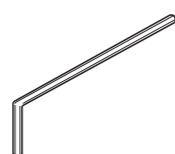
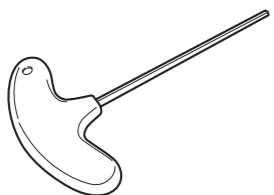
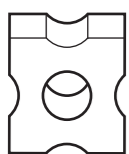
Tip Replacement Period

If chip abrasion deepens, the chamfering size will be changed.
If a cutter mark protrudes for replacement target, a chip angle should be changed or a chip replaced with a new product.



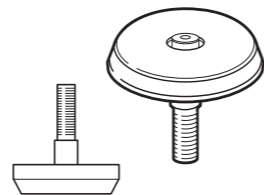
Accessories

Carbide tip (3) T-type allen wrench (1) 3mm Allen wrench (1) Guide roller (1)
For $\geq 8\text{mm}$ thickness



Option

Guide roller
For $\geq 6\text{mm}$ thickness

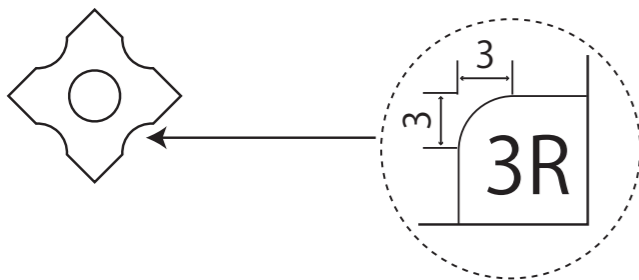


Parts No.693-5

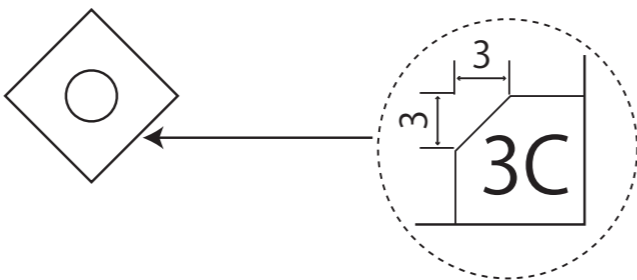
Optional carbide tips for SI-4020L, SI-4020

The original carbide tip can be cutting smooth. And it is available octahedral. So it is very economical.
The tip can be used 4 times on the top, and 4 times on the bottom. If an angle changed, it can be 8 times.

R3 Carbide Tip for rounding the edges



C3 Carbide Tip for radiusing the edges



SAFETY WARNING :

- Cutting of this product will produce dust that may be potentially hazardous.
- Use adequate ventilation.
- Always wear gloves, ear/eye protection, and other protective equipment, when required.
- Always shut off air supply before changing the carbide tip.
- The carbide tip rotates at the full speed. If the holding power is insufficient, the carbide tip will burst out, which is dangerous. Firmly and securely mount it onto the cutter holder.

SHINANO INC.

<http://www.shinanoinc.co.jp>

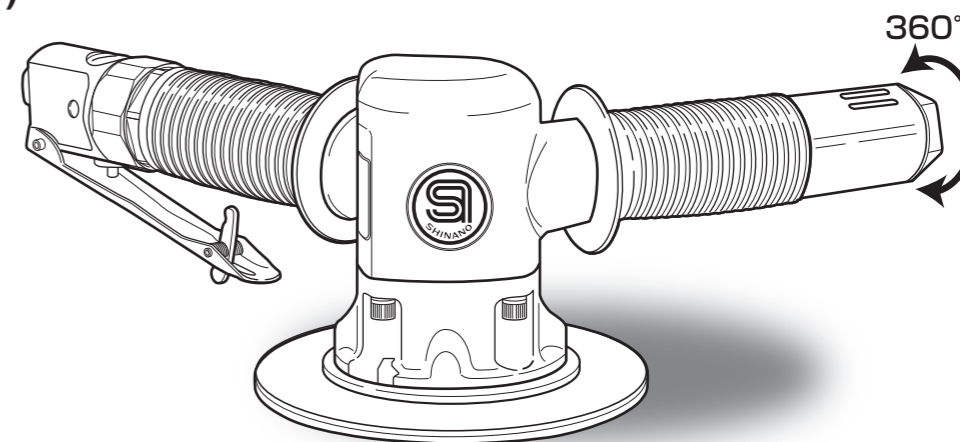
MADE IN JAPAN

SI-4020L / SI-4020

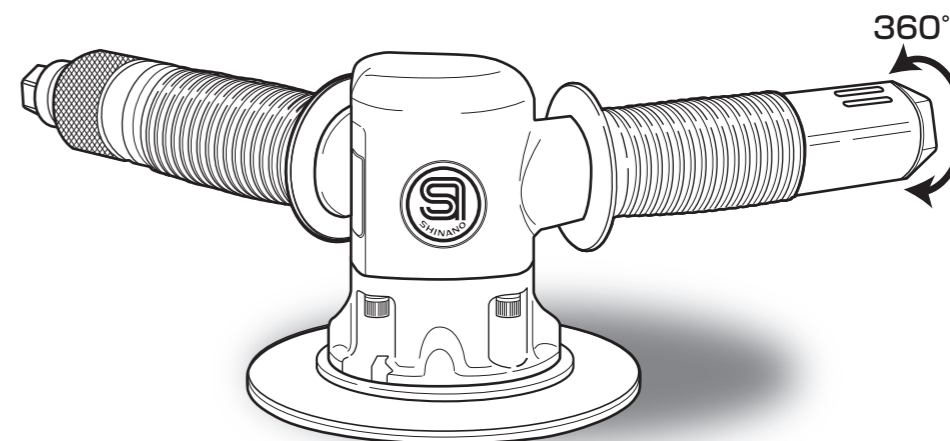
SHINANO INC.

INSTRUCTION MANUAL FOR AIR BEVELER

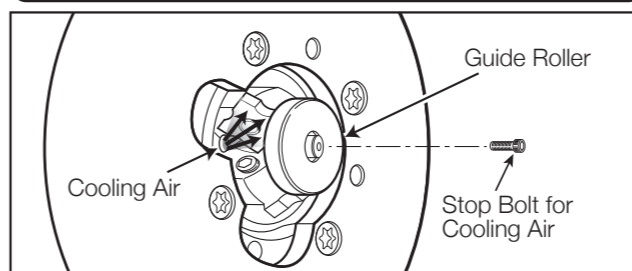
SI-4020L (Safety lever)



SI-4020 (Rotary twist switch)



Cooling Air Mechanism



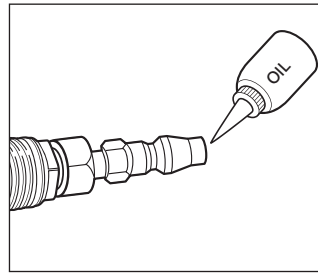
- Blow with cooling air automatically for long life span of carbide tip and for preventing sticking of cutting chips.
- Remove the bolt from guide roller and replace with cooling air stopping bolt attached when stop of cooling air is required.

WARNING :

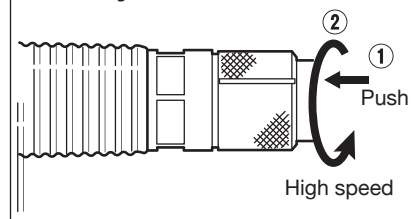
- Read safety instructions before using or servicing.
- Always wear gloves, ear/eye protection, and other protective equipment, when required.
- Repetitive motion, or exposure to vibration may cause injury.
- Always shut off air supply before changing the carbide tip.
- Check clamp screws of cutter holder tight before using.
- Keep hand away from moving parts.
- Rated air pressure 6.3bar/90psi max.

Preparation for Operation

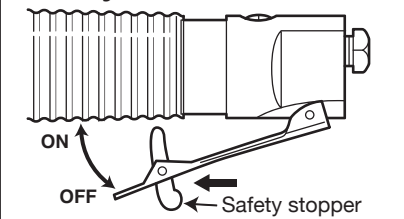
1. Connect the coupler onto the air inlet of handle on the switch side.
2. Pour approx. 0.5cc (2 to 3 drops) of the oil through the coupler. Connect it to the air hose, and run for 3 to 5 seconds to circulate the oil.
3. The switch consists of two kinds of safety lever type and rotary twist type.



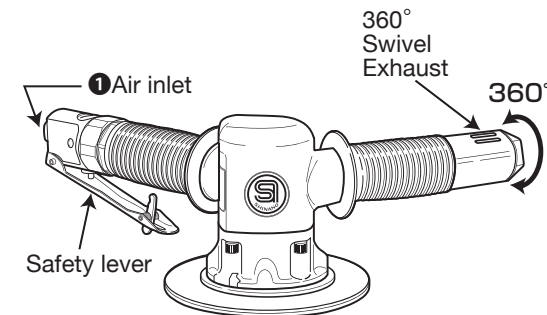
< Rotary twist switch >



< Safety lever >



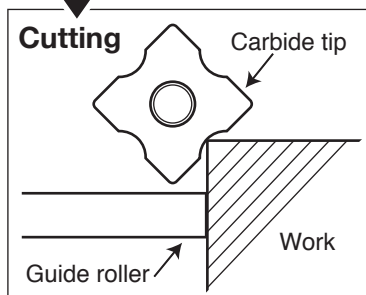
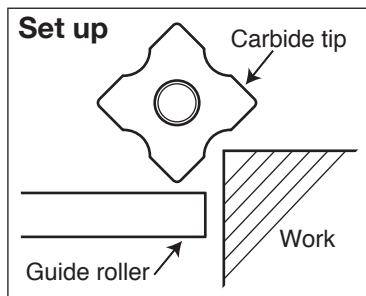
SI-4020L Max.rpm:10,000rpm



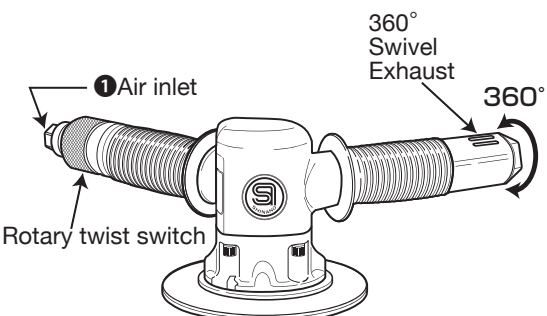
Accessories :
Carbide Tip (3), Safety instructions (1)
T-Wrench (1), L-Wrench (1)

Preparation for Operation

1. Apply the guide roller and cutter holder tip to the worked area, and check the cut points.
2. When the points are determined, set up the tool bit apart from the work, and start the switch slowly.



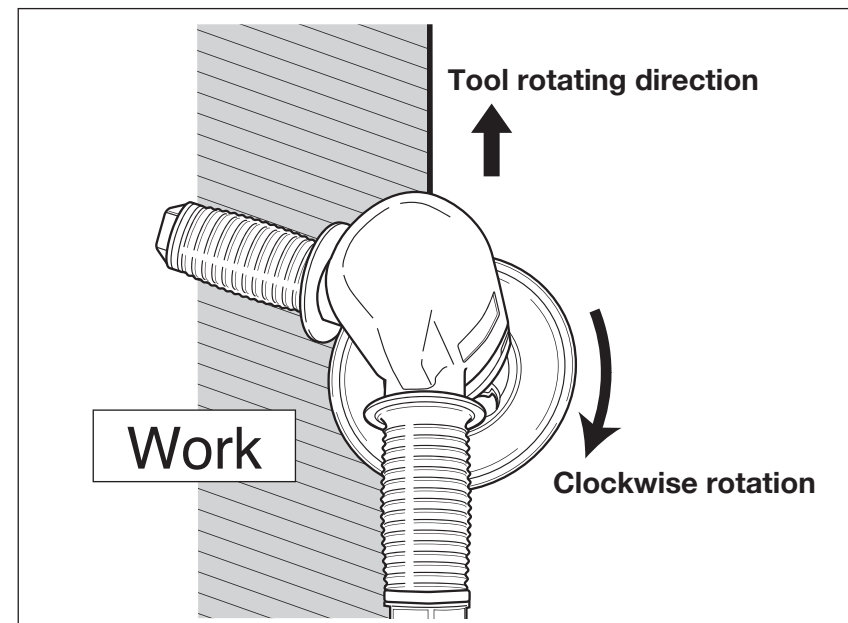
SI-4020 Max.rpm:10,000rpm



Accessories :
Carbide Tip (3), Safety instructions (1)
T-Wrench (1), L-Wrench (1)

⚠ WARNING :
Don't start the tool immediately after application of the tip to the work. Negligence will give damage to the tip, or hurt your hand due to rebound. Be sure to avoid such a wrong operation.

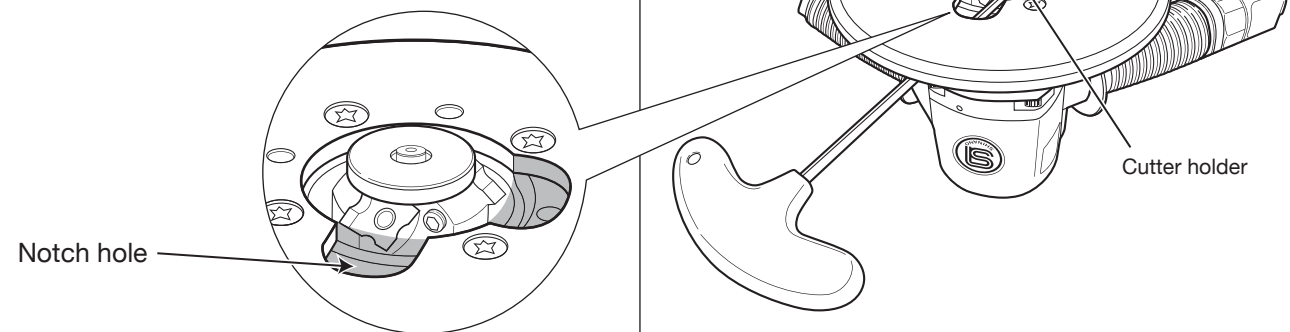
3. Cut the work proceeding in parallel along the work and in the same direction as tool rotating direction (clockwise rotation).
4. Follow the same procedures for curvature processing and inner circumference processing.



Tip Replacement Procedures

Tip Removal Method

1. Lay the tool reversely so that the cutter holder unit can be exposed.
2. The tip is fixed by a clamp screw.
Insert the T-type wrench through the notch hole of the base plate in the tip clamp screw head.
3. Retain the tip with fingers from the reverse side so as not to drop. Swinging it left or right, rotate it counterclockwise, and release the lock for removal.
4. Remove 2 pieces of remaining clamp screw in the same procedures.



Carbide tip Mount Method

1. If accustomed to running, it is not required to remove the guide roller. However, it is first required to remove it with the L-type wrench for easy operation, and easy observation of the blade unit.
2. First pre-insert the clamp screw in the cutter holder screw hole to the 80 to 90 percent extent thereof. Attach the tip tight to the surface from the opposite side. Insert it at 2 points in the positioning notch area. Retaining it with fingers, and swinging left or right with T-type wrench, so as to proceed to the outside. Finally turn it to the inside, and firmly lock it for fixture.
3. Similarly, mount 2 pieces of remaining clamp screw with same procedures.

⚠ WARNING :
Make sure if the clamp screw head should protrude from each tip surface.

