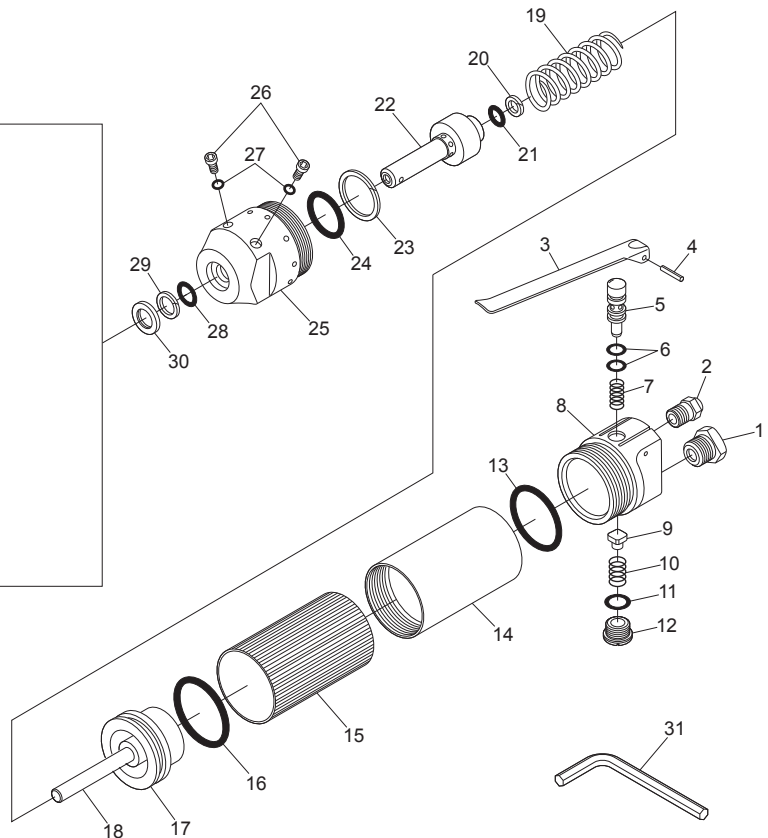
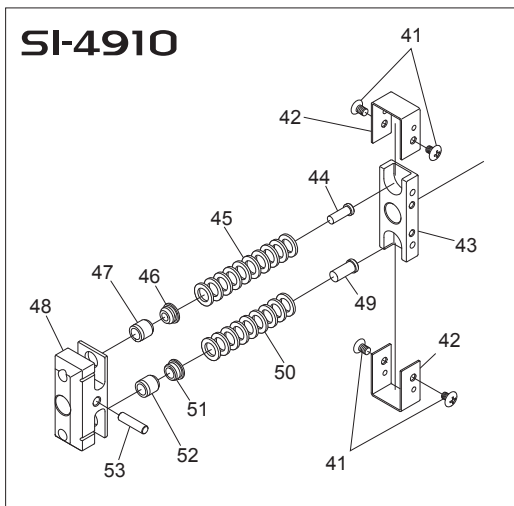
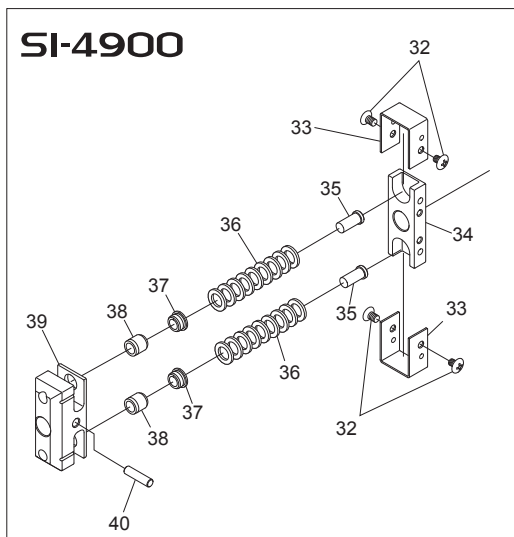


SI-4900 Puncher $\phi 6.5 \times 2$

SI-4910 Puncher $\phi 5 \phi 6.5$



Ref. No.	Parts No.	Description	Q'ty	Ref. No.	Parts No.	Description	Q'ty
1	670-22	Inlet Bushing	1	29	BB012	Backup Ring 1	1
2	145-41	Exhaust Bushing incl. Screen(610-33)	1	30	910-17	Oil Seal	1
3	145-6	Throttle Lever	1	31	WRA-4	4mm Allen Wrench	1
4	30-24	Roll Pin(3 ϕ -24mm)	1	SI-4900			
5	145-4	Valve Stem	1	32	G-M40---60	Screw	4
6	P-7	O-Ring	2	33	145-44	Cover	2
7	200-6	Valve Spring	1	34	145-42	Fixed arm	1
8	145-1	Valve Housing	1	35	145-14-65	Punch 6.5	2
9	145-3	Valve	1	36	145-16-65	Cup Spring 6.5	18
10	230-4	Valve Spring	1	37	145-15-65	Guide 6.5	2
11	P-10	O-Ring	1	38	145-13-65	Die 6.5	2
12	230-68	Valve Screw	1	39	145-43-5	Working arm 5	1
13	450-36	O-Ring	1	40	230-18	Pin	1
14	145-2	Cylinder	1	SI-4910			
15	145-39	Rubber Grip	1	41	G-M40---60	Screw	4
16	P-41	O-Ring	1	42	145-44	Cover	2
17	145-7	1st Piston	1	43	145-42	Fixed arm	1
18	145-8	Plunger	1	44	145-14-5	Punch 5	1
19	145-38	Return Spring	1	45	145-16-5	Cup Spring 5	10
20	145-29	Backup Ring 3	1	46	145-15-5	Guide 5	1
21	AS568-109	O-Ring	1	47	145-13-5	Die 5	1
22	145-9A	2nd Piston	1	48	145-43-65	Working arm 6.5	1
23	145-28	Backup Ring 2	1	49	145-14-65	Punch 6.5	1
24	AS568-215	O-Ring	1	50	145-16-65	Cup Spring 6.5	9
25	145-10	Front Cap	1	51	145-15-65	Guide 6.5	1
26	Z-M50---80	Cap Screw	2	52	145-13-65	Die 6.5	1
27	S-6	O-Ring	2	53	230-18	Pin	1
28	P-12	O-Ring	1				