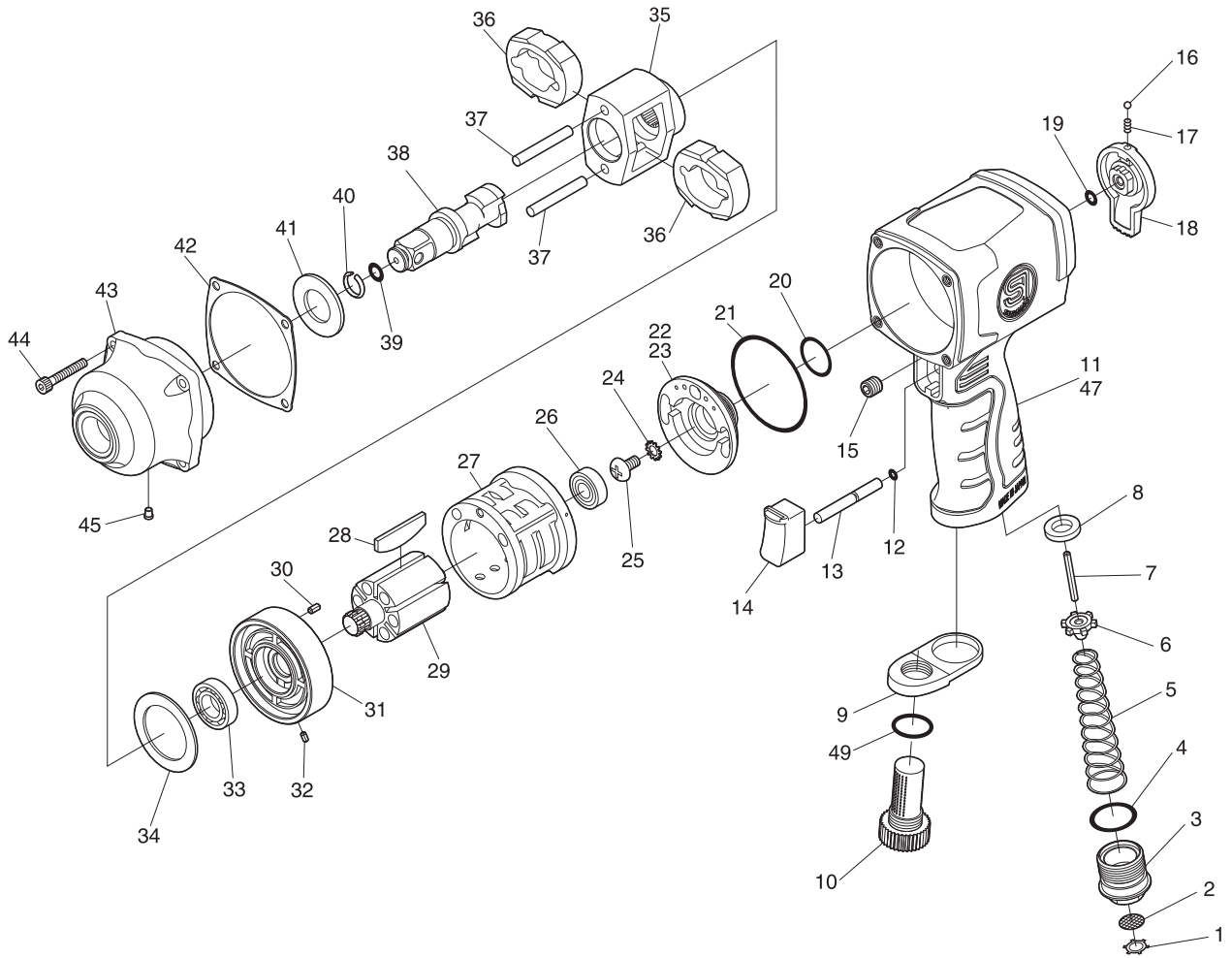


SI-1610 SI-1610SR

1/2" Sq. Dr. Impact Wrench



Ref. No.	Parts No.	Description	Q'ty	Ref. No.	Parts No.	Description	Q'ty
1	CRTW-12	Retainer	1	25	PBM50--100	Screw	1
2	680-28A	Screen	1	26	698ZZ	Ball Bearing	1
3	737-18	Inlet Bushing	1	27	737-11	Cylinder	1
4	991-7	O-Ring	1	28	737-20	Rotor Blade	6
5	736K-4	Valve Spring	1	29	737-8	Rotor	1
6	960-35	Valve	1	30	30-6	Roll Pin(3ø-6mm)	1
7	30-28	Roll Pin(3ø-28mm)	1	31	737-3	Front Plate	1
8	960-34	Valve Seat	1	32	25-4	Roll Pin(2.5ø-4mm)	1
9	736-8	Muffler Retainer	1	33	6901	Ball Bearing	1
10	911P-25	Muffler	1	34	735-6	Washer	1
11	737-1	Motor Housing	1	35	735-2	Hammer Cage	1
12	737-19	O-Ring	1	36	735-3	Hammer Dog	2
13	737-13	Valve Shaft	1	37	735-4	Hammer Pin	2
14	737-6R	Trigger	1	38	737-12	1/2" Sq. Anvil incl. O-Ring & Socket Retainer Ring (P-6 & 930-48)	1
15	ROM80---80	Set Screw	1	39	P-6	O-Ring	1
16	SB-1/8	Steel Ball	1	40	930-48	Socket Retainer Ring	1
17	960-50	Spring	1	41	730-47	Spacer	1
18	737-7R	Reverse Lever	1	42	737-10R	Gasket	1
19	S-5	O-Ring	1	43	737-2SI	Clutch Housing incl. Anvil Bushing	1
20	737-17	O-Ring	1	44	Z-M40--250	Cap Screw	4
21	737-16	O-Ring	1	45	1071C-16	Grease Plug	1
22	737-14	Multifunction Valve	1	★ 47	737-1ASR	Motor Housing for SR	1
★ 23	737-15A	Multifunction Valve for SR	1	49	S-16	O-Ring	1
24	BT-50	Washer	1				