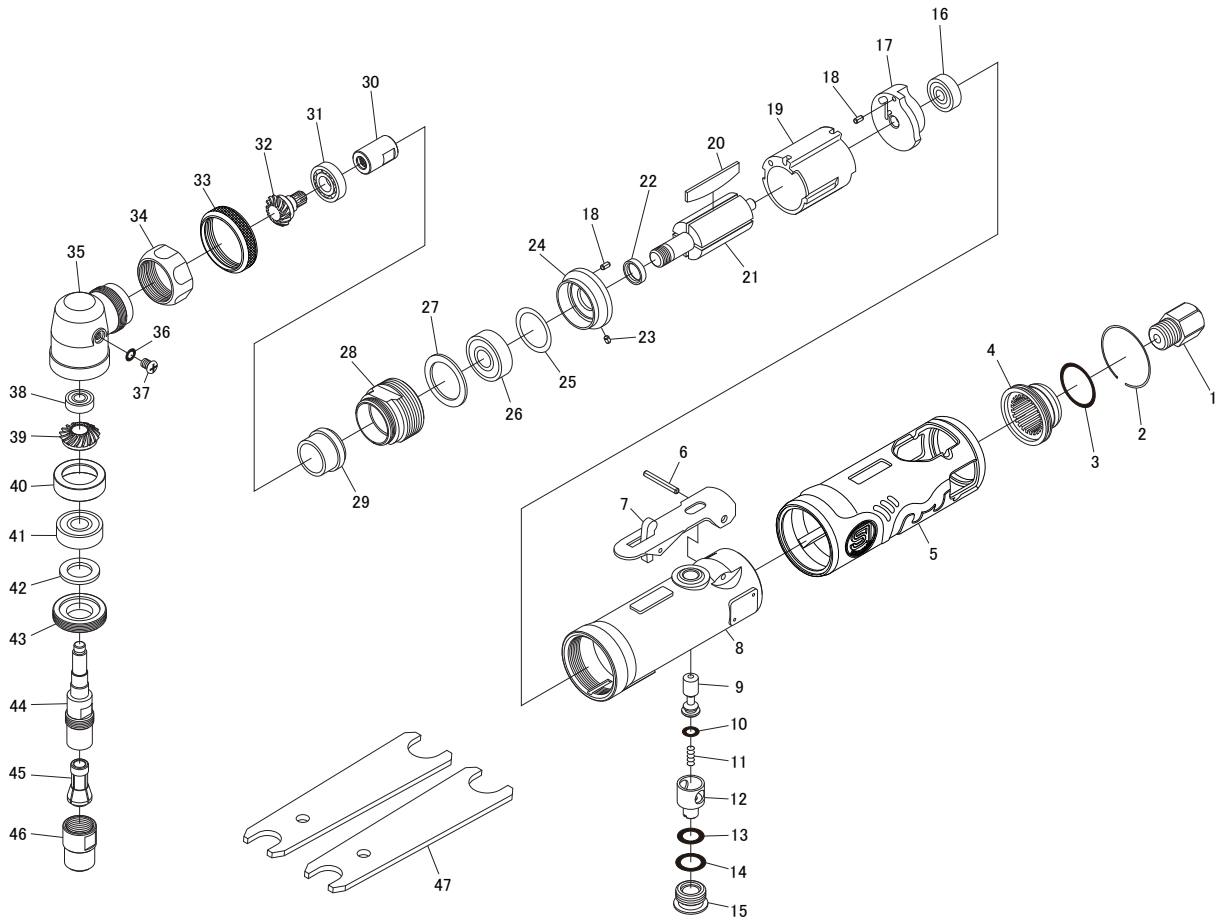


# SI-2025

## Angle Die Grinder



Ref. No.	Parts No.	Description	Q'ty	Ref. No.	Parts No.	Description	Q'ty
1	180-1	Inlet Bushing	1	26	6000ZZ	Ball Bearing	1
2	620-30	Retaining Ring	1	27	620-20	Washer	1
3	620-28	O-Ring	1	28	892-51	Lock Ring	1
4	620-18	Deflector	1	29	114DA-10	Collar	1
5	892-2SI	Housing Cover	1	30	892-50	Coupling	1
6	30-24	Roll Pin(3φ-24mm)	1	31	EE3	Ball Bearing	1
7	350-2L	Throttle Lever	1	32	114H-3	Pinion Gear	1
8	892-1	Motor Housing incl. Bush (350-4)	1	33	892-52	Housing Cap	1
9	350-5	Valve Stem	1	34	114-4	Angle Head Coupling Nut	1
10	P-5	O-Ring	1	35	114DA-3B	Angle Head	1
11	350-7	Valve Spring	1	36	S-5	O-Ring	1
12	350-8A	Air Regulator	1	37	A-M50---60	Screw	1
13	P-8	O-Ring	1	38	R4ZZ	Ball Bearing	1
14	P-11	O-Ring	1	39	114H-4	Bevel Gear	1
15	350-10	Valve Screw	1	40	114DA-9	Spacer	1
16	626ZZ	Ball Bearing	1	41	6000ZZ	Ball Bearing	1
17	620-9	Rear Plate	1	42	1041-50	Felt	1
18	25-5	Roll Pin(2.5φ-5mm)	2	43	114DA-8	Spindle Nut	1
19	680-1	Cylinder	1	44	114-1	Spindle	1
20	350-16	Rotor Blade	4	45	330-24	1/4" Collet	1
21	350-15	Rotor	1	46	330-23	Collet Nut	1
22	350-18	Collar	1	47	330-28	Spanner Wrench (11 × 17mm)	2
23	25-3.5	Roll Pin(2.5φ-3.5mm)	1	◆ 48	330-25	1/8" Collet	
24	620-10	Front Plate	1	◆ 49	330-26	3mm Collet	
25A	350-20	Shim(0.03mm)		◆ 50	330-19	6mm Collet	
25B	350-29	Shim(0.05mm)	★				