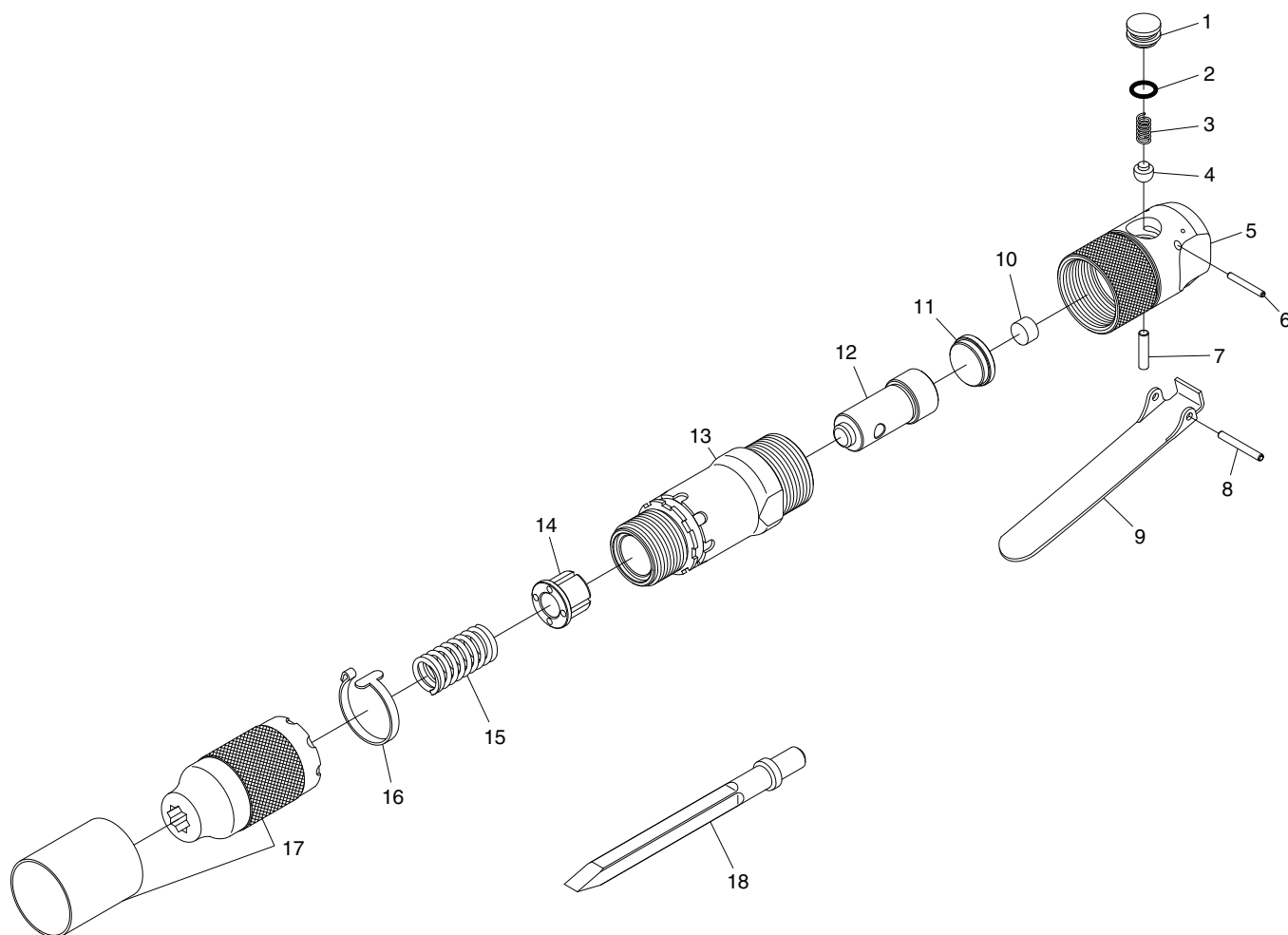


# SI-4170CH

## Flux Chipper



Ref. No.	Parts No.	Description	Q'ty	Ref. No.	Parts No.	Description	Q'ty
1	830-18A	Valve Cover	1	10	830-9	Damper	1
2	S-9	O-Ring	1	11	830-8	Seal Plate	1
3	670-49	Valve Spring	1	12	830-5	Piston	1
4	300-10	Valve	1	13	830-1	Cylinder	1
5	830-2	Valve Case(incl.310-1S)	1	14	830-11	Anvil Bush	1
6	25-20	Roll Pin(2.5φ-20mm)	1	15	830-16	Spring	1
7	310-4S	Valve Pin	1	16	830-10	Stopper Ring	1
8	30-24	Roll Pin(3φ-24mm)	1	17	830-15AS	Top Cover	1
9	985-2	Throttle Lever	1	◆ 18	830-17	Flux Chipper Chisel	1