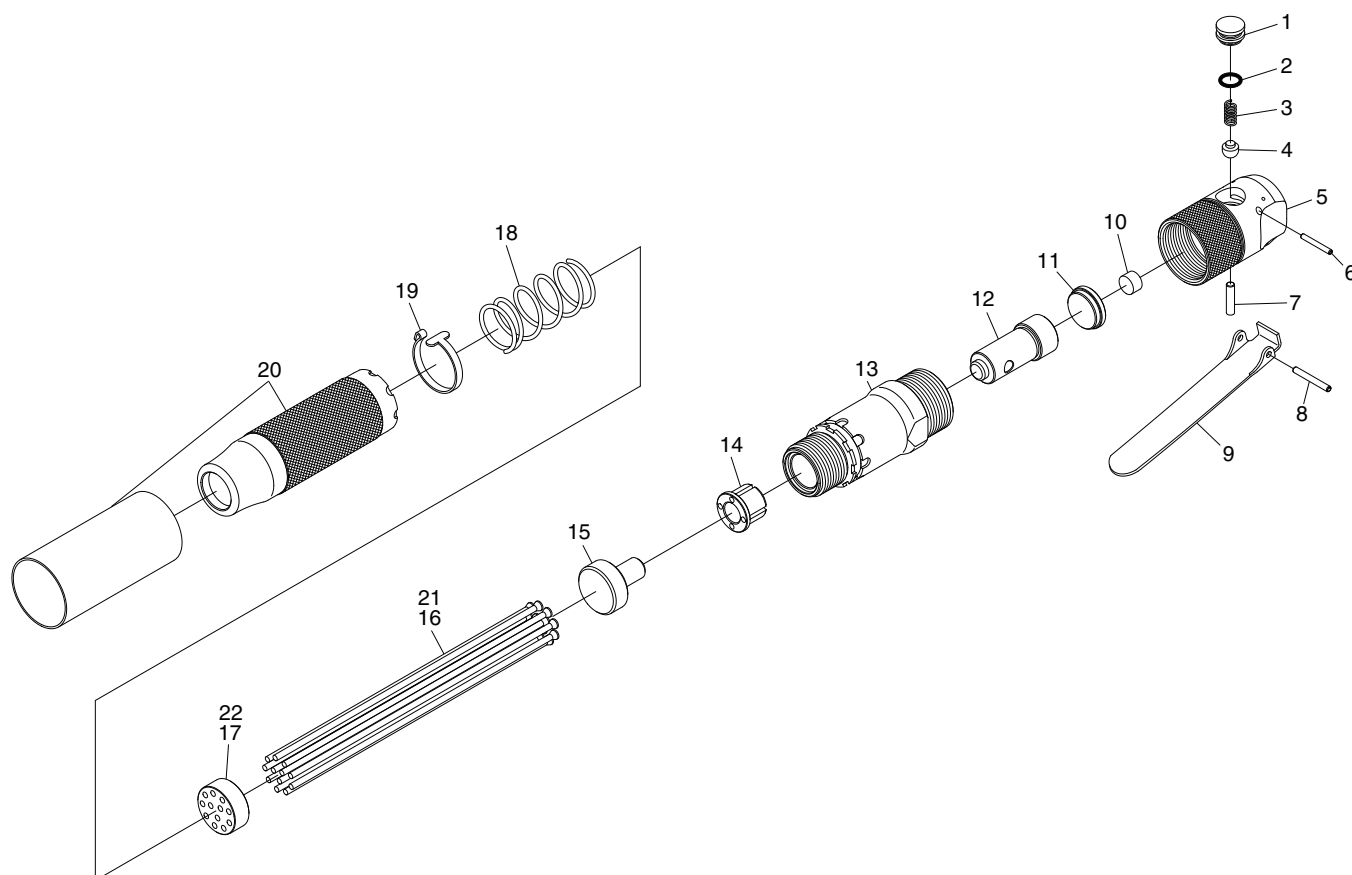


# SI-4170

3mm Needle Scaler

# SI-4170-2

2mm Needle Scaler



Ref. No.	Parts No.	Description	Q'ty	Ref. No.	Parts No.	Description	Q'ty
1	830-18A	Valve Cover	1	12	830-5	Piston	1
2	S-9	O-Ring	1	13	830-1	Cylinder	1
3	670-49	Valve Spring	1	14	830-11	Anvil Bush	1
4	300-10	Valve	1	15	830-7	Anvil	1
5	830-2	Valve Case(incl.310-1S)	1	16	820-11	Needle φ3mm x 180mm	12
6	25-20	Roll Pin(2.5φ-20mm)	1	17	830-6	Needle Holder for φ3mm Needle	1
7	310-4S	Valve Pin	1	18	830-14	Spring	1
8	30-24	Roll Pin(3φ-24mm)	1	19	830-10	Stopper Ring	1
9	985-2	Throttle Lever	1	20	830-3AS	Top Cover	1
10	830-9	Damper	1	☆ 21	820-24	Needle φ2mm x 180mm	21
11	830-8	Seal Plate	1	☆ 22	830-13	Needle Holder for φ2mm Needle	1