

SHINANO AIR TOOL ACCESSORIES

▶ IMPACT WRENCHES

103-1
Muffler



IMPACT WRENCHES

215RA-13
Muffler Filter inside
(Quieter than 911P-25)



IMPACT WRENCHES

911P-25
Muffler



IMPACT WRENCHES

458-58
Housing Cover



IMPACT WRENCHES

736-8
Muffler Retainer



IMPACT WRENCHES

736DH-10
Retainer



IMPACT WRENCHES

911A-15
Muffler Retainer



IMPACT WRENCHES

911P-11
Retainer



IMPACT WRENCHES

737-26
Housing Cover



IMPACT WRENCHES

913-21
Housing Cover



IMPACT WRENCHES

967-23
Housing Cover



IMPACT WRENCHES

▶ DRIVERS

181-45
Regulator



DRIVERS

181-51
+Bit



DRIVERS

181-51A
+Bit



DRIVERS

458-58
Housing Cover



DRIVERS

▶ SANDERS

10mm Sanding Belt
#40/#60/#80/#100/#120



509-45Z/40 10mm Sanding belt #40
509-45Z/60 10mm Sanding belt #60
509-45Z/80 10mm Sanding belt #80
509-45Z/100 10mm Sanding belt #100
509-45Z/120 10mm Sanding belt #120

BELTSANDERS

20mm Sanding Belt
#40/#60/#80/#100/#120



507-58Z/40 20mm Sanding belt #40
507-58Z/60 20mm Sanding belt #60
507-58Z/80 20mm Sanding belt #80
507-58Z/100 20mm Sanding belt #100
507-58Z/120 20mm Sanding belt #120

BELTSANDERS

30mm Sanding Belt
#40/#60



505-56Z/40 30mm Sanding belt #40
505-56Z/60 30mm Sanding belt #60

BELTSANDERS

10mm Felt Belt
#60/#150/#320



509-130 10mm Felt belt #60
509-131 10mm Felt belt #150
509-132 10mm Felt belt #320

BELTSANDERS

13mm Sanding Belt
#60



509LK-106 13mm Sanding belt #60

BELTSANDERS

181-45
Regulator



BELTSANDERS

1026-51AS
Swivel Regulator Male 1/4" Female 1/4"



BELTSANDERS

P-125H
5" Leather Pad 5/16-24UNF



SANDERS

M-125H
5" Velcro Pad 5/16-24UNF



SANDERS

P-125HD
5" Leather Pad with 6holes 5/16-24UNF



SANDERS

SANDERS

M-125HD
5" Velcro Pad with 6holes 5/16-24UNF

SANDERS

P-150H
6" Leather Pad 5/16-24UNF

SANDERS

M-150H
6" Velcro Pad 5/16-24UNF

SANDERS

P-150HD 6
6" Leather Pad with 6holes 5/16-24UNF

SANDERS

M-150HD 6
6" Velcro Pad with 6holes 5/16-24UNF

SANDERS

M-150HDMH
6" Velcro Pad with Multh holes 5/16-24UNF

SANDERS

1041CV-5
6" Velcro Pad Face cover

SANDERS

NP-150-120
6" Net Paper#120

SANDERS

NP-150-240
6" Net Paper#240

SANDERS

1140-14M
5" Velcro Pad

SANDERS

1140-59M
6" Velcro Pad

SANDERS

P-3003
Leather Pad incl. Plate(490-58B)No hole

SANDERS

M-3003
Velcro Pad incl. Plate(490-58B)No hole

SANDERS

P-3007
Leather Pad incl. Plate(477- 44)

SANDERS

M-3007
Velcro Pad incl. Plate(477- 44)

SANDERS

P-3013D
Leather Pad incl. Plate(490-58B)with hole

SANDERS

M-3013D
Velcro Pad incl. Plate(490-58B)with hole

SANDERS

475-22
Leather Pad

SANDERS

477A-5EL
Leather Pad incl 100x180

SANDERS

477A-5EM
Velcro Pad incl 100x180

SANDERS

1040-54
ø19mm Dust Hose

SANDERS

570-42A
ø25mm Dust Hose

SANDERS

485-42
Dust Pack

SANDERS

IMPACT
WRENCHES

DRIVERS

RATCHET
WRENCHES

SANDERS

POLISHERS

GRINDERS

DRILLS
SPOTMILLS

CUTTING TOOLS

OTHERS

INDUSTRIAL
TOOLS

ACCESSORIES

SOUND
&
VIBRATION

MAINTENANCE
CHECK

QUALITY

SHINANO AIR TOOL ACCESSORIES

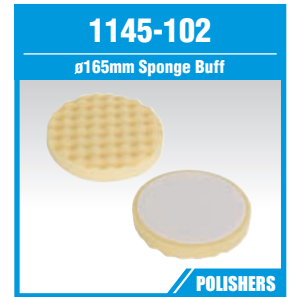
SANDERS



POLISHERS



▶ POLISHERS



▶ GRINDERS



IMPACT
WRENCHES
DRIVERS
RATCHET
WRENCHES
SANDERS
POLISHERS
GRINDERS
DRILLS
SPINDLES
CUTTING TOOLS
OTHERS
INDUSTRIAL
TOOLS
ACCESSORIES
SOUND &
VIBRATION
MAINTENANCE
CHECK
QUALITY

SHINANO AIR TOOL ACCESSORIES

▶ DRILLS / SPOT MILLS

KD-004
3/8" Drill Chuck

Chuck / Handle
DRILLS / SPOT MILLS

LX10
3/8" Keyless Chuck (Yukiwa)

DRILLS / SPOT MILLS

LM13W
1/2" Keyless Chuck (Yukiwa)

DRILLS / SPOT MILLS

KD-003A
1/2" Drill Chuck

Chuck / Handle
DRILLS / SPOT MILLS

KD-002
3/8" Drill Chuck

Chuck / Handle
DRILLS / SPOT MILLS

KK
Chuck Handle for KD-004, & KD-003A

DRILLS / SPOT MILLS

KG1
Chuck Handle for KD-002

DRILLS / SPOT MILLS

100
Collet Driver

DRILLS / SPOT MILLS

210-5-1A
Dead handle set

DRILLS / SPOT MILLS

271-17
ø8mm milling Cutter

DRILLS / SPOT MILLS

▶ CUTTING TOOLS

506-49ASI
Saw blade 32T

CUTTING TOOLS

1025-49ASI
Saw blade 32T

CUTTING TOOLS

1025-50A
Saw blade 24T

CUTTING TOOLS

1026-49ASI
Saw blade 32T

CUTTING TOOLS

506P-56F
Flat File

CUTTING TOOLS

506P-56R
Round File

CUTTING TOOLS

506P-56T
Triangle File

CUTTING TOOLS

1026-50
Swivel Regulator Male 1/8" Female 1/4"

CUTTING TOOLS

508-45A
Cutting Wheel

CUTTING TOOLS

508-45B
Cutting Blade

CUTTING TOOLS

508-44
Adjuster

CUTTING TOOLS

502-42
Punch

CUTTING TOOLS

502-41
Die

CUTTING TOOLS

160-2
Center Blade

CUTTING TOOLS

160-3
Right Blade

CUTTING TOOLS

160-4
Left Blade

CUTTING TOOLS

330-24
1/4" Collet

CUTTING TOOLS

330-19
6mm Collet

CUTTING TOOLS

330-25
1/8" Collet

CUTTING TOOLS

330-26
3mm Collet

CUTTING TOOLS

▶ OTHERS

801
TIE ROD TOOL
.401" Shank CHISELS

Air Hammer

802
TAIL PIPE CUTTER
.401" Shank CHISELS

Air Hammer

803
FORK 21/32" OPENING
.401" Shank CHISELS

Air Hammer

803J
FORK 15/16" OPENING
.401" Shank CHISELS

Air Hammer

804
BUSHING REMOVER
.401" Shank CHISELS

Air Hammer

805
SCRAPER
.401" Shank CHISELS

Air Hammer

806
BUSHING SPLITTER
.401" Shank CHISELS

Air Hammer

807
SHEET METAL A
.401" Shank CHISELS

Air Hammer

808
MUFFER CUTTER
.401" Shank CHISELS

Air Hammer

809
DOUBLE EDGE PANEL CUTTER
.401" Shank CHISELS

Air Hammer

810
FLAT 7" LONG
.401" Shank CHISELS

Air Hammer

811
FLAT 9" LONG
.401" Shank CHISELS

Air Hammer

812
TAPER PUNCH
.401" Shank CHISELS

Air Hammer

813
RIVET CUTTER
.401" Shank CHISELS

Air Hammer

814
BLANK CHISEL
.401" Shank CHISELS

Air Hammer

815
SPOT WELD BREAKER
.401" Shank CHISELS

Air Hammer

816
SHEET METAL B
.401" Shank CHISELS

Air Hammer

818
FLAT BEND
.401" Shank CHISELS

Air Hammer

819
SHEET METAL PUNCH
.401" Shank CHISELS

Air Hammer

821
SMOOTHING HAMMER
.401" Shank CHISELS

Air Hammer

822
STRAIGHT PUNCH
.401" Shank CHISELS

Air Hammer

823
PAINT SCRAPER
.401" Shank CHISELS

Air Hammer

825
MOIL POINT
.401" Shank CHISELS

Air Hammer

402-100
QUICK CHANGE RETAINER

Air Hammer

820-11
NEEDLES
Needle
ø3 x 180mm

Needle Scaler

820-24
NEEDLES
Needle
ø2 x 180mm

Needle Scaler

830-17
FLUX CHIPPER CHISEL

Chipper

IMPACT WRENCHES
DRIVERS
RATCHET WRENCHES
SANDERS
POLISHERS
GRINDERS
SPOTMILLS
CUTTING TOOLS
OTHERS
INDUSTRIAL TOOLS
ACCESSORIES
SOUND & VIBRATION
MAINTENANCE CHECK
QUALITY

SHINANO AIR TOOL ACCESSORIES

INDUSTRIAL TOOLS

243-30
Disc Pad Attachment



Disc Grinder

129-100
2" Disc Pad



Disc Grinder

243-W50
2" Grinding Disc



Disc Grinder

240-71E
4" Grinding Disc



Disc Grinder

241-49E
5" Grinding Disc



Disc Grinder

280-28E
7" Grinding Disc



Disc Grinder

630-W65
2.5" Grinding Disc



Straight Disc Grinder

630-W75
3" Grinding Disc



Straight Disc Grinder

129-101/129-102
6mm Disc Pad Attachment / 1/4" Disc Pad Attachment



Disc & Die Grinder

114SE-3/114SE-3A
6mm Collet / 1/4" Collet



Die Grinder

892SE-2 / 892SE-2A
6mm Collet / 1/4" Collet



Die Grinder

690-100C
Carbide Tip



Beveler

693-100C
Carbide Tip



Beveler

693-100R
R3 Carbide Tip



Beveler

695-100
Carbide Tip



Bead Cutter

693-5
Guide Roller ≥ 6mm



Beveler

693-5E
Guide Roller ≥ 8mm



Beveler

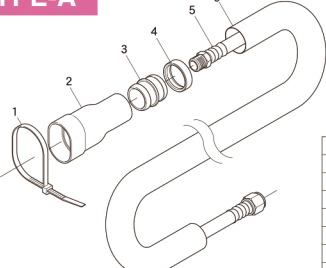
693-5EC8
Guide Roller ≥ 8mm



Beveler

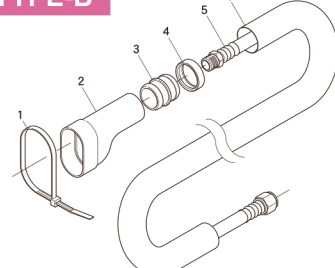
Exhaust Hose

TYPE-A



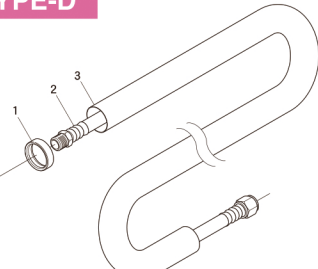
Ref. No.	Parts No.	Description	Q' ty
1	106-10	Harness Band	1
2	106-5	Exhaust Cover A	1
3	106-6	Connector	1
4	106-1	Urethane Band	1
5	106-3	Wipe Hose	1
6	106-2	Exhaust Hose	1
NO.1~6	106-A	Wipe Hose A Assy	1

TYPE-B



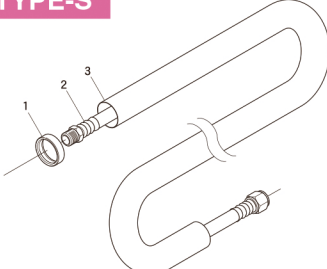
Ref. No.	Parts No.	Description	Q' ty
1	106-10	Harness Band	1
2	106-7	Exhaust Cover B	1
3	106-6	Connector	1
4	106-1	Urethane Band	1
5	106-3	Wipe Hose	1
6	106-2	Exhaust Hose	1
NO.1~6	106-B	Wipe Hose B Assy	1

TYPE-D



Ref. No.	Parts No.	Description	Q' ty
1	106-1	Urethane Band	1
2	106-3	Wipe Hose	1
3	106-2	Exhaust Hose	1
NO.1~3	106-D	Wipe Hose D Assy	1

TYPE-S



Ref. No.	Parts No.	Description	Q' ty
1	106-8	Urethane Band S	1
2	106-3	Wipe Hose	1
3	106-9	Exhaust Hose S	1
NO.1~3	106-S	Wipe Hose S Assy	1