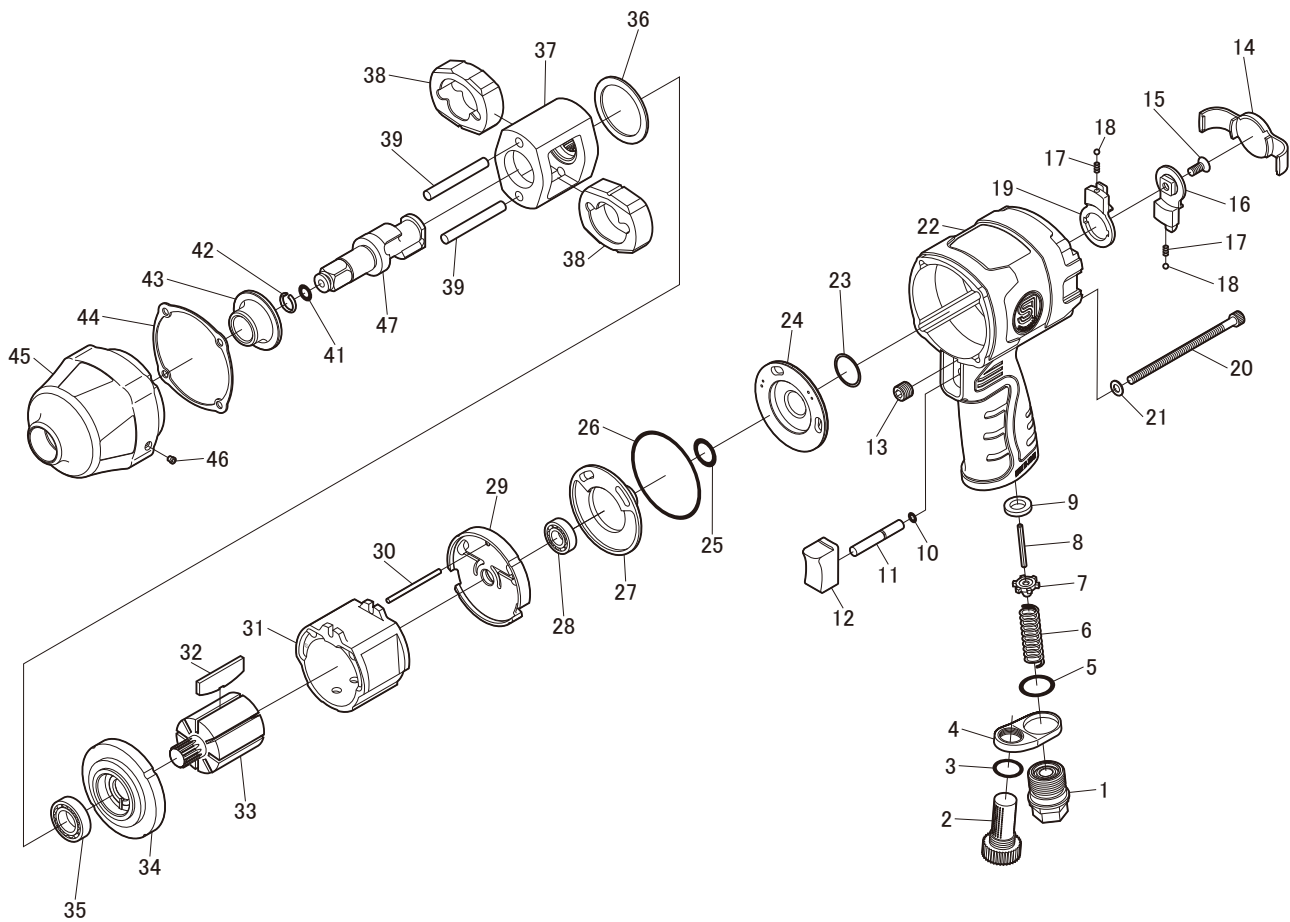


SI-1492B

1/2" Sq. Dr. Impact Wrench



Ref. No.	Parts No.	Description	Q'ty	Ref. No.	Parts No.	Description	Q'ty
1	911P-20D	Inlet Bushing	1	25	S-10	O-Ring	1
2	911P-25	Muffler	1	26	911P-23A	O-Ring	1
3	S-16	O-Ring	1	27	913-7B	Reverse Valve	1
4	911A-15	Muffler Retainer	1	28	6900	Ball Bearing	1
5	991-7	O-Ring	1	29	913-17A	Rear Plate	1
6	911P-14	Valve Spring	1	30	914-4	Motor Pin	1
7	960-35	Valve	1	31	911P-12A	Cylinder	1
8	30-32	Roll Pin(3ø-32mm)	1	32	913-18A	Rotor Blade	8
9	960-34	Valve Seat	1	33	913-13A	Rotor	1
10	216-6	O-Ring	1	34	913-4B	Front Plate	1
11	456GP-14	Valve Shaft	1	35	6902	Ball Bearing	1
12	913-11R	Trigger	1	36	913-12	Spacer	1
13	ROM100---80	Set Screw	1	37	935AF-3	Hammer Cage	1
14	913-2	Rear Cover	1	38	935AF-5	Hammer Dog	2
15	E-M50--120	Screw	1	39	935AF-6	Hammer Pin	2
16	913-8AR	Regulator Lever(Red)	1	◆40	935AF-4	1/2" Sq. Anvil incl. O-Ring & Socket Retainer Ring (P-7 & 930-48)	
17	960-50	Spring	2	41	P-7	O-Ring	1
18	SB-1/8	Steel Ball	2	42	930-48	Socket Retainer Ring	1
19	913-6AY	Regulator Lever(Yellow)	1	43	935AF-2	Anvil Bushing	1
20	Z-M50--920	Cap Screw	4	44	914-3B	Gasket	1
21	PWO-50	Washer	4	45	914-2B	Clutch Housing incl. Anvil Bushing	1
22	913-1	Motor Housing	1	46	1071C-16	Grease Plug	1
23	S-20	O-Ring	1	47	935AF-4L	1/2" Sq. 2" Long Anvil incl. O-Ring & Socket Retainer Ring (P-7 & 930-48)	1
24	913-5B	Regulator Valve	1				