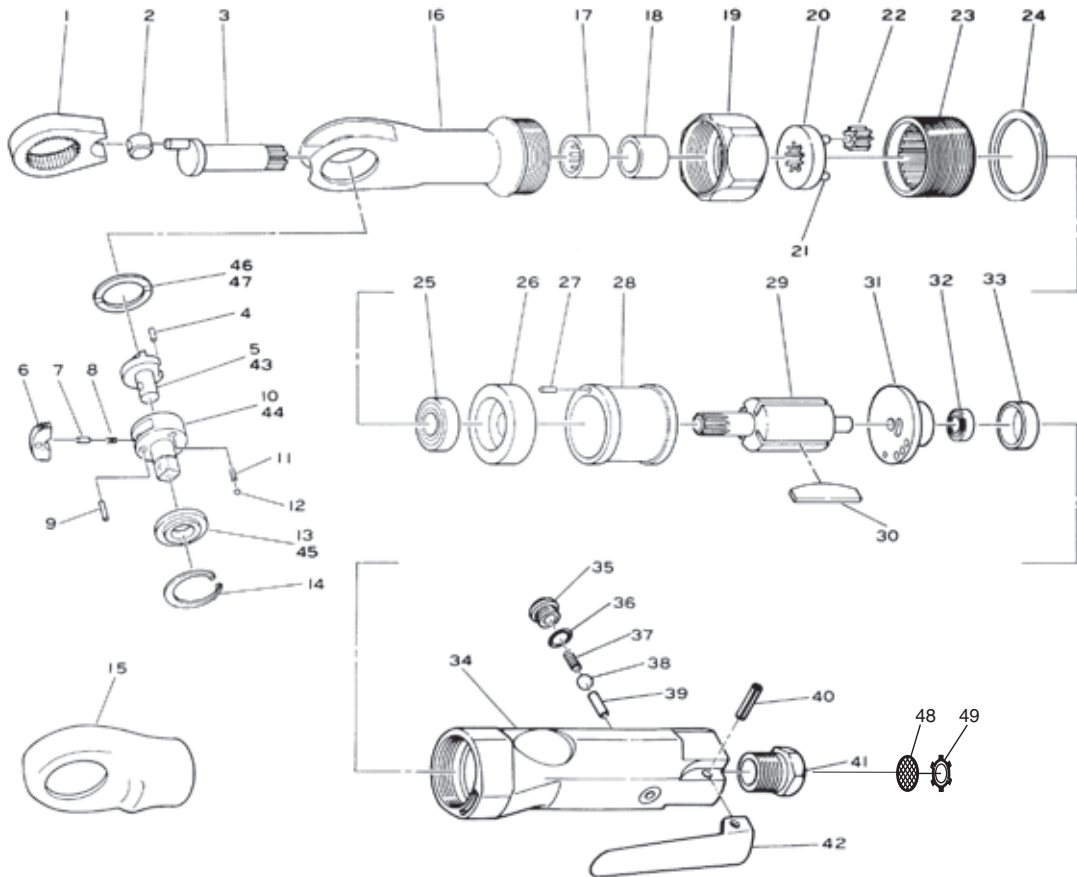


SI-1320A

3/8" Sq. Dr. Ratchet Wrench

SI-1325A

1/2" Sq. Dr. Ratchet Wrench



Ref. No.	Parts No.	Description	Q'ty	Ref. No.	Parts No.	Description	Q'ty
1	670-3	Yoke	1	26	300-6	Front Plate	1
2	670-8	Drive Bushing	1	27	15-6	Roll Pin (1.5ø-6mm)	1
3	300-20	Crank Shaft	1	28	800-1	Cylinder	1
4	30-5	Roll Pin(3ø-5mm)	1	29	300-12	Rotor	1
5	300-19	Reverse Lever for 3/8" Sq. Anvil	1	30	301-15	Rotor Blade	4
6	670-9	Ratchet Pawl	1	31	300-4	Rear Plate	1
7	670-17	Reverse Pin	1	32	626	Ball Bearing	1
8	670-45	Reverse Spring	1	33	680-34	Bearing Cap	1
9	670-27	Dowel Pin	1	34	800-7SI	Motor Housing incl. Bush(670-10)	1
10	300-5	3/8" Sq. Anvil incl.Pin (30-5)	1	35	800-14	Valve Screw	1
11	800B-44	Thrust Washer Spring	2	36	P-9	O-Ring	1
12	SB-5/32	Steel Ball	2	37	670-49	Valve Spring	1
13	670-26	Thrust Washer for 3/8" Sq. Anvil	1	38	300-10	Valve	1
14	IO-30	Retaining Ring	1	39	670-23	Valve Pin	1
15	150-55Y	Boot(yellow)	1	40	30-24	Roll Pin (3ø-24mm)	1
16	300K-11	Ratchet Housing	1	41	670-22	Inlet Bushing	1
17	HK1212	Needle Bearing	1	42	350-2	Throttle Lever	1
18	671-60	Bush	1	★ 43	671H-3	Reverse Lever for 1/2" Sq. Anvil	1
19	670-25	Lock Ring	1	★ 44	671H-2	1/2" Sq. Anvil incl. Pin(30-5)	1
20	301-2	Planet Cage incl. Planet Pins(300-21 x3)	1	★ 45	671H-1	Thrust Washer for 1/2" Sq. Anvil	1
21	300-21	Planet Pin	3	46	800-51	Wear Washer 0.5mm (Optional)	1
22	300-13	Planet Gear	3	47	800-2	Wear Washer 0.8mm (Optional)	1
23	300-23	Internal Gear	1	48	680-28A	Screen	1
24	670-18	Lock Washer	1	49	CRTW-12	Retainer	1
25	608ZZ	Ball Bearing	1				